

# SECTION **SRS**

## SUPPLEMENTAL RESTRAINT SYSTEM (SRS)

A  
B  
C  
D  
E  
F  
G  
H  
I  
J  
K  
L  
M

### CONTENTS

<p><b>PRECAUTIONS</b> ..... 3</p> <p>    Precautions for Supplemental Restraint System (SRS) "AIR BAG" and "SEAT BELT PRE-TENSIONER" ..... 3</p> <p>    Precautions for SRS "AIR BAG" and "SEAT BELT PRE-TENSIONER" Service ..... 3</p> <p>    Trouble Diagnosis Precaution ..... 3</p> <p><b>PREPARATION</b> ..... 4</p> <p>    Special Service Tools ..... 4</p> <p>    Commercial Service Tools ..... 5</p> <p><b>SUPPLEMENTAL RESTRAINT SYSTEM (SRS)</b> ..... 6</p> <p>    SRS Configuration ..... 6</p> <p>    Front Seat Belt Pre-tensioner with Load Limiter ..... 7</p> <p>    Front Side Air Bag ..... 7</p> <p>    Side Curtain Air Bag ..... 7</p> <p><b>TROUBLE DIAGNOSIS</b> ..... 8</p> <p>    Trouble Diagnoses Introduction ..... 8</p> <p>        <b>DIAGNOSIS FUNCTION</b> ..... 8</p> <p>        <b>HOW TO PERFORM TROUBLE DIAGNOSES FOR QUICK AND ACCURATE REPAIR</b> ..... 8</p> <p>        <b>WORK FLOW</b> ..... 9</p> <p>    SRS Component Parts Location ..... 10</p> <p>    Schematic ..... 11</p> <p>    Wiring Diagram-SRS- ..... 12</p> <p>    CONSULT-II Function ..... 17</p> <p>        <b>DIAGNOSIS MODE FOR CONSULT-II</b> ..... 17</p> <p>        <b>HOW TO CHANGE SELF-DIAGNOSIS MODE WITH CONSULT-II</b> ..... 17</p> <p>        <b>HOW TO ERASE SELF-DIAGNOSIS RESULTS..</b> 18</p> <p>    Self-diagnosis Function (Without CONSULT-II) .... 19</p> <p>        <b>HOW TO CHANGE SELF-DIAGNOSIS MODE..</b> 19</p> <p>        <b>HOW TO ERASE SELF-DIAGNOSTIC RESULTS</b> ..... 19</p> <p>    SRS Operation Check ..... 19</p> <p>        <b>DIAGNOSTIC PROCEDURE 1</b> ..... 19</p> <p>    Trouble Diagnoses with CONSULT-II ..... 21</p> <p>        <b>DIAGNOSTIC PROCEDURE 2</b> ..... 21</p> <p>        <b>DIAGNOSTIC PROCEDURE 3</b> ..... 25</p> <p>        <b>DIAGNOSTIC PROCEDURE 4 (CONTINUED FROM DIAGNOSTIC PROCEDURE 2)</b> ..... 27</p>	<p>        <b>DIAGNOSTIC PROCEDURE 5</b> ..... 27</p> <p>    Trouble diagnoses without CONSULT-II ..... 31</p> <p>        <b>DIAGNOSTIC PROCEDURE 6</b> ..... 31</p> <p>        <b>WARNING LAMP FLASH CODE CHART</b> ..... 32</p> <p>    Trouble Diagnoses: "AIR BAG" Warning Lamp Does Not Turn Off ..... 36</p> <p>        <b>DIAGNOSTIC PROCEDURE 7</b> ..... 36</p> <p>    Trouble Diagnoses: "AIR BAG" Warning Lamp Does Not Turn On ..... 37</p> <p>        <b>DIAGNOSTIC PROCEDURE 8</b> ..... 37</p> <p><b>DRIVER AIR BAG MODULE</b> ..... <b>38</b></p> <p>    Removal and Installation ..... 38</p> <p>        <b>REMOVAL</b> ..... 38</p> <p>        <b>INSTALLATION</b> ..... 39</p> <p><b>SPIRAL CABLE</b> ..... <b>40</b></p> <p>    Removal and Installation ..... 40</p> <p>        <b>REMOVAL</b> ..... 40</p> <p>        <b>INSTALLATION</b> ..... 41</p> <p><b>FRONT PASSENGER AIR BAG MODULE</b> ..... <b>42</b></p> <p>    Removal and Installation ..... 42</p> <p>        <b>REMOVAL</b> ..... 42</p> <p>        <b>INSTALLATION</b> ..... 42</p> <p><b>FRONT SIDE AIR BAG MODULE</b> ..... <b>43</b></p> <p>    Removal and Installation ..... 43</p> <p>        <b>REMOVAL</b> ..... 43</p> <p>        <b>INSTALLATION</b> ..... 44</p> <p><b>SIDE CURTAIN AIR BAG MODULE</b> ..... <b>45</b></p> <p>    Removal and Installation ..... 45</p> <p>        <b>REMOVAL</b> ..... 45</p> <p>        <b>INSTALLATION</b> ..... 46</p> <p><b>CRASH ZONE SENSOR</b> ..... <b>47</b></p> <p>    Removal and Installation ..... 47</p> <p>        <b>REMOVAL</b> ..... 47</p> <p>        <b>INSTALLATION</b> ..... 47</p> <p><b>SIDE AIR BAG (SATELLITE) SENSOR</b> ..... <b>48</b></p> <p>    Removal and Installation ..... 48</p> <p>        <b>REMOVAL</b> ..... 48</p> <p>        <b>INSTALLATION</b> ..... 48</p> <p><b>FRONT SEAT BELT PRE-TENSIONER</b> ..... <b>49</b></p> <p>    Removal and Installation ..... 49</p>
---	---

SRS

<b>DIAGNOSIS SENSOR UNIT</b> .....	<b>50</b>	SEAT BELT PRE-TENSIONER WHILE	
Removal and Installation .....	50	MOUNTED IN VEHICLE .....	56
REMOVAL .....	50	DISPOSING OF AIR BAG MODULE AND SEAT	
INSTALLATION .....	50	BELT PRE-TENSIONER .....	57
ECU DISCRIMINATED NO. ....	50	<b>COLLISION DIAGNOSIS</b> .....	<b>58</b>
<b>DISPOSAL OF AIR BAG MODULE AND SEAT BELT</b>		For Frontal Collision .....	58
<b>PRE-TENSIONER</b> .....	<b>51</b>	SRS INSPECTION (FOR FRONTAL COLLI-	
Caution for Air Bag Module and Seat Belt Pre-tensioner .....	51	SION) .....	58
CHECKING DEPLOYMENT TOOL .....	51	For Side Collision .....	59
DEPLOYMENT PROCEDURES FOR AIR BAG		WHEN THE SIDE AIR BAG IS ACTIVATED IN	
MODULE (OUTSIDE OF VEHICLE) .....	52	THE SIDE COLLISION: .....	59
DEPLOYMENT PROCEDURES FOR SEAT		WHEN SRS IS NOT ACTIVATED IN THE SIDE	
BELT PRE-TENSIONER (OUTSIDE OF VEHICLE) .....	56	COLLISION: .....	60
DEPLOYMENT OF AIR BAG MODULE AND		SRS INSPECTION (FOR SIDE COLLISION) .....	60

# PRECAUTIONS

## PRECAUTIONS

PPF:00001

### Precautions for Supplemental Restraint System (SRS) “AIR BAG” and “SEAT BELT PRE-TENSIONER”

AHS0008A

The Supplemental Restraint System such as “AIR BAG” and “SEAT BELT PRE-TENSIONER”, used along with a front seat belt, helps to reduce the risk or severity of injury to the driver and front passenger for certain types of collision. This system includes seat belt switch inputs and dual stage front air bag modules. The SRS system uses the seat belt switches to determine the front air bag deployment, and may only deploy one front air bag, depending on the severity of a collision and whether the front occupants are belted or unbelted. Information necessary to service the system safely is included in the SRS and SB section of this Service Manual.

#### **WARNING:**

- To avoid rendering the SRS inoperative, which could increase the risk of personal injury or death in the event of a collision which would result in air bag inflation, all maintenance must be performed by an authorized NISSAN/INFINITI dealer.
- Improper maintenance, including incorrect removal and installation of the SRS, can lead to personal injury caused by unintentional activation of the system. For removal of Spiral Cable and Air Bag Module, see the SRS section.
- Do not use electrical test equipment on any circuit related to the SRS unless instructed to in this Service Manual. SRS wiring harnesses can be identified by yellow and/or orange harnesses or harness connectors.

### Precautions for SRS “AIR BAG” and “SEAT BELT PRE-TENSIONER” Service

AHS0008B

- Do not use electrical test equipment to check SRS circuits unless instructed to in this Service Manual.
- Before servicing the SRS, turn ignition switch OFF, disconnect both battery cables and wait at least 3 minutes.  
For approximately 3 minutes after the cables are removed, it is still possible for the air bag and seat belt pre-tensioner to deploy. Therefore, do not work on any SRS connectors or wires until at least 3 minutes have passed.
- Diagnosis sensor unit must always be installed with their arrow marks “←” pointing towards the front of the vehicle for proper operation. Also check diagnosis sensor unit for cracks, deformities or rust before installation and replace as required.
- The spiral cable must be aligned with the neutral position since its rotations are limited. Do not attempt to turn steering wheel or column after removal of steering gear.
- Handle air bag module carefully. Always place driver and front passenger air bag modules with the pad side facing upward and seat mounted front side air bag module standing with the stud bolt side facing down.
- Conduct self-diagnosis to check entire SRS for proper function after replacing any components.
- After air bag inflates, the front instrument panel assembly should be replaced if damaged.
- Always replace instrument panel pad following front passenger air bag deployment.

### Trouble Diagnosis Precaution

AHS0008C

When you read wiring diagrams, refer to the following:

- [GI-14, "How to Read Wiring Diagrams"](#) in GI section
- [PG-2, "POWER SUPPLY ROUTING"](#) in PG section

When you perform trouble diagnosis, refer to the following:

- [GI-10, "HOW TO FOLLOW TEST GROUPS IN TROUBLE DIAGNOSES"](#) in GI section
- [GI-26, "How to Perform Efficient Diagnosis for an Electrical Incident"](#) in GI section

Check for any service bulletins before servicing the vehicle.

# PREPARATION

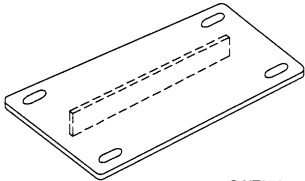
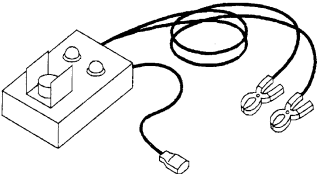
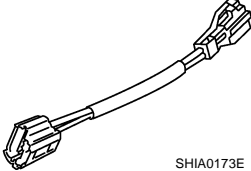
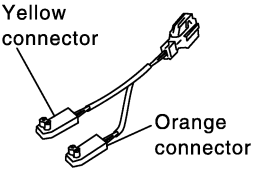
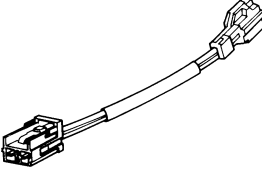

PFP:00002

## PREPARATION

### Special Service Tools

AHS0008D

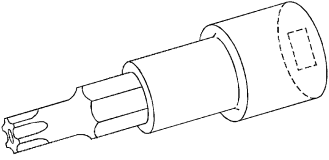
The actual shapes of Kent-Moore tools may differ from those of special service tools illustrated here.

Tool number (Kent-Moore No.) Tool name	Description
KV99105300 (J41246) Air bag module bracket	 <p style="text-align: right;">S-NT354</p>
KV99106400 (J38381) Deployment tool	 <p style="text-align: right;">S-NT357</p>
(J38381-65) Deployment tool adapter for front passenger air bag module	 <p style="text-align: right;">SHIA0173E</p>
(J38381-80) <ul style="list-style-type: none"> <li>● Deployment tool adapter for driver air bag module (Yellow and orange connectors)</li> <li>● Deployment tool adapter for front seat belt pre-tensioner (Yellow connector)</li> <li>● Deployment tool adapter for side curtain air bag module (Yellow connector)</li> </ul>	 <p style="text-align: right;">PHIA0184E</p> <ul style="list-style-type: none"> <li>● Connection between the deployment tool and driver air bag module</li> <li>● Connection between the deployment tool and front seat belt pre-tensioner</li> <li>● Connection between the deployment tool and side curtain air bag module</li> </ul>
KV99108300 (J38381-35) Deployment tool adapter for front side air bag module	 <p style="text-align: right;">ZZA1166D</p>
(J-44615) Air bag lock master key set	 <p style="text-align: right;">LRS191</p>

# PREPARATION

## Commercial Service Tools

AHS0008E

Tool name	Description
<p data-bbox="167 346 478 372">Tamper resistant TORX socket</p>  <p data-bbox="829 453 885 468">S-NT757</p>	<p data-bbox="981 346 1077 372">Size: T30</p>

- A
- B
- C
- D
- E
- F
- G
- SRS**
- I
- J
- K
- L
- M

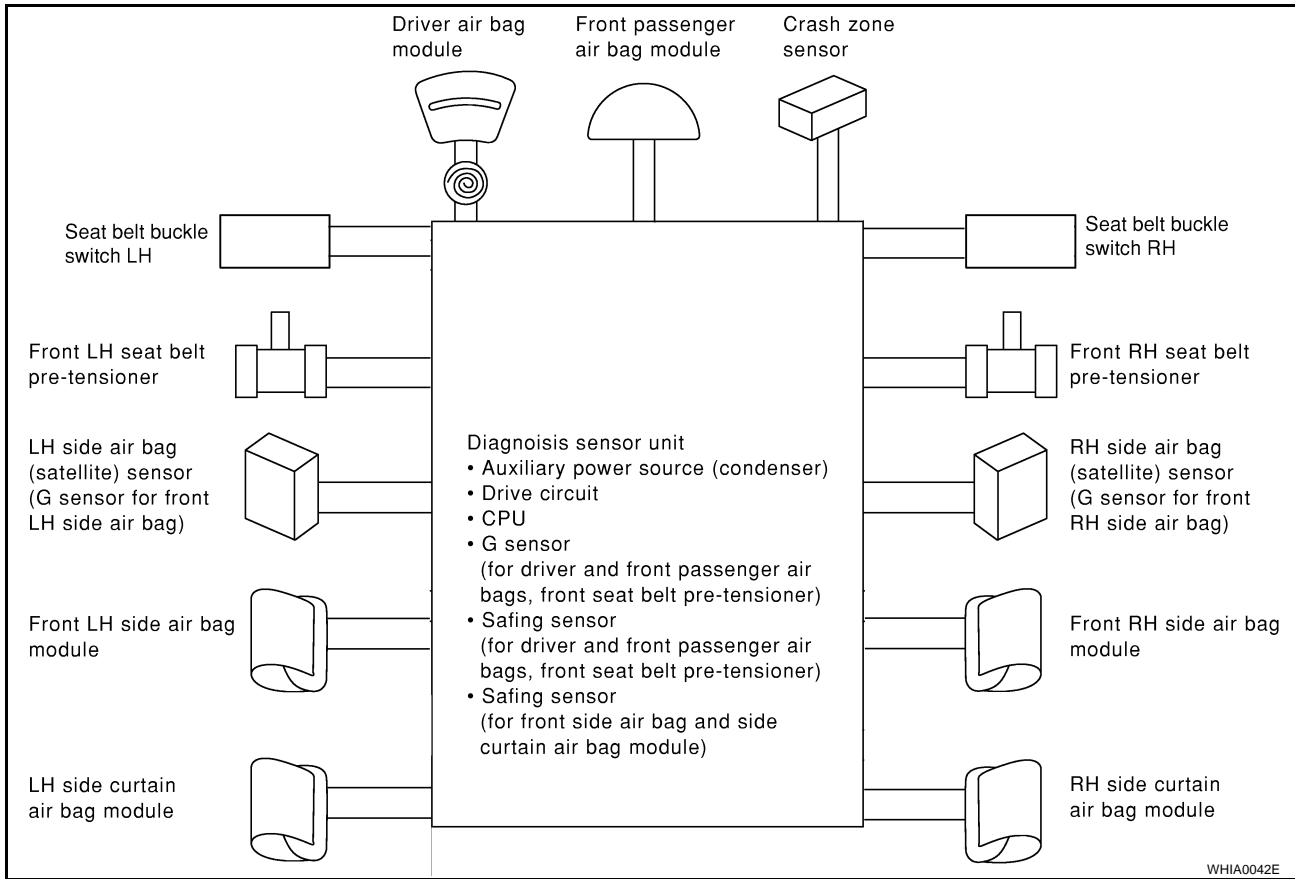
# SUPPLEMENTAL RESTRAINT SYSTEM (SRS)

## SUPPLEMENTAL RESTRAINT SYSTEM (SRS)

PFPP:28556

### SRS Configuration

AHS0008F



The air bag deploys if the diagnosis sensor unit activates while the ignition switch is in the ON or START position.

The collision modes for which supplemental restraint systems are activated are different among the SRS systems. For example, the driver air bag module and front passenger air bag module are activated in a frontal collision but not in a side collision.

SRS configurations which are activated for some collision modes are as follows;

SRS configuration	Frontal collision	Left side collision	Right side collision
Driver air bag module	×	—	—
Front passenger air bag module	×	—	—
Front LH seat belt pre-tensioner	×	—	—
Front RH seat belt pre-tensioner	×	—	—
Front LH side air bag module	—	×	—
Front RH side air bag module	—	—	×
LH side curtain air bag module	—	×	—
RH side curtain air bag module	—	—	×

# SUPPLEMENTAL RESTRAINT SYSTEM (SRS)

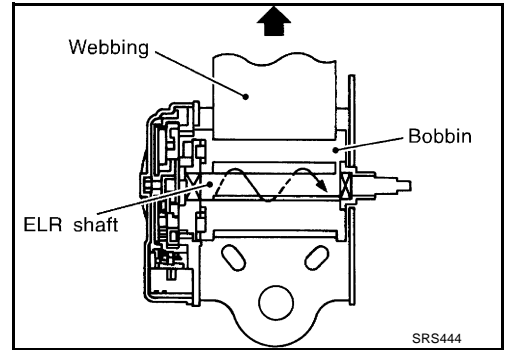
## Front Seat Belt Pre-tensioner with Load Limiter

AHS0008G

The seat belt pre-tensioner system with load limiter is installed for both the driver's seat and the front passenger's seat. It operates simultaneously with the SRS air bag system in the event of a frontal collision with an impact exceeding a specified level.

When the frontal collision with an impact exceeding a specified level occurs, seat belt slack resulting from clothing or other factors is immediately taken up by the pre-tensioner. Vehicle passengers are securely restrained.

When passengers in a vehicle are thrown forward in a collision and the restraining force of the seat belt exceeds a specified level, the load limiter permits the specified extension of the seat belt by the twisting of the ELR shaft, and a relaxation of the chest-area seat belt web tension while maintaining force.

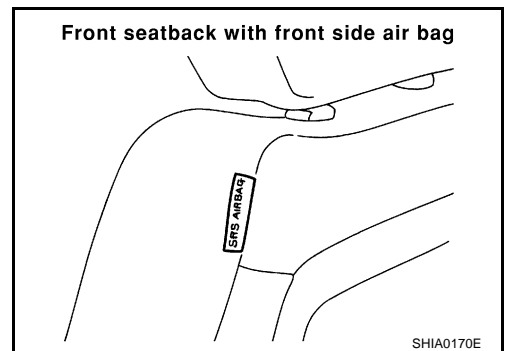


## Front Side Air Bag

AHS0008H

Front side air bag is built-in type.

The front seatbacks with built-in type side air bag have the labels as shown.



## Side Curtain Air Bag

AHS0008I

The side curtain air bags have the labels as shown.



A  
B  
C  
D  
E  
F  
G  
I  
J  
K  
L  
M

SRS

# TROUBLE DIAGNOSIS

## TROUBLE DIAGNOSIS

PFP:00004

### Trouble Diagnoses Introduction

AHS0008J

#### CAUTION:

- Do not use electrical test equipment on any circuit related to the SRS unless instructed in this Service Manual. SRS wiring harnesses can be identified by yellow and/or orange harnesses or harness connectors.
- Do not attempt to repair, splice or modify the SRS wiring harness. If the harness is damaged, replace it with a new one.
- Keep ground portion clean.

#### DIAGNOSIS FUNCTION

The SRS self-diagnosis results can be read by using "AIR BAG" warning lamp and/or CONSULT-II.

The User mode is exclusively prepared for the customer (driver). This mode warns the driver of a system malfunction through the operation of the "AIR BAG" warning lamp.

The Diagnosis mode allows the technician to locate and inspect the malfunctioning part.

The mode applications for the "AIR BAG" warning lamp and CONSULT-II are as follows:

	User mode	Diagnosis mode	Display type
"AIR BAG" warning lamp	X	X	ON-OFF operation
CONSULT-II	—	X	Monitoring

#### HOW TO PERFORM TROUBLE DIAGNOSES FOR QUICK AND ACCURATE REPAIR

A good understanding of the malfunction conditions can make troubleshooting faster and more accurate.

In general, each customer feels differently about a malfunction. It is important to fully understand the symptoms or conditions for a customer complaint.

#### Information from Customer

WHAT..... Vehicle model

WHEN..... Date, Frequencies

WHERE..... Road conditions

HOW..... Operating conditions, Symptoms

#### Preliminary Check

Check that the following parts are in good order.

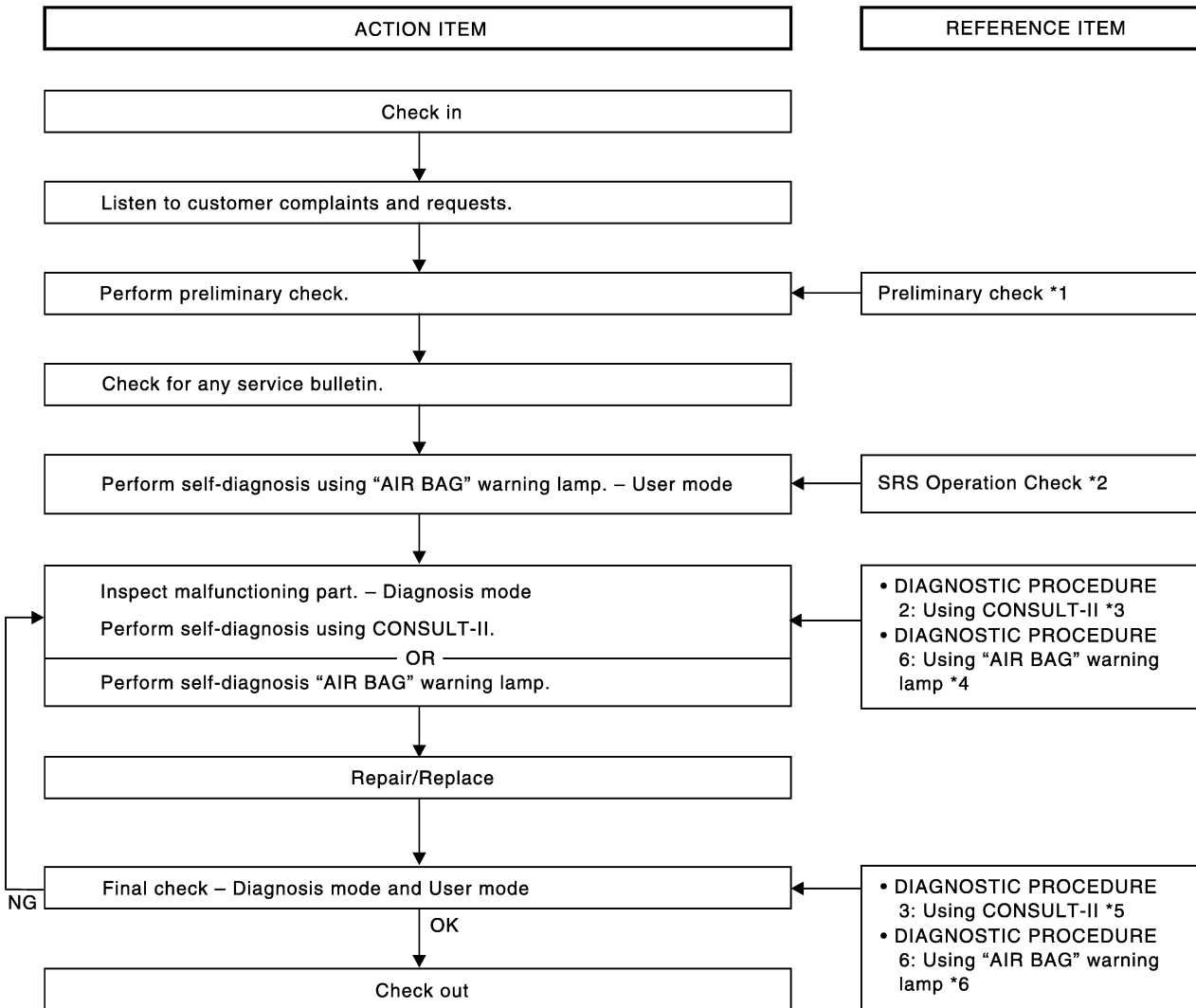
- Battery (Refer to [SC-4, "How to Handle Battery"](#) .)
- Fuse (Refer to [PG-2, "Schematic"](#) .)
- System component-to-harness connections



# TROUBLE DIAGNOSIS

## WORK FLOW

A  
B  
C  
D  
E  
F  
G  
SRS  
I  
J  
K  
L  
M



\*1: [SRS-8. "Preliminary Check"](#).

\*2: [SRS-19. "SRS Operation Check"](#).

\*3: [SRS-21. "DIAGNOSTIC PROCEDURE 2"](#).

\*4: [SRS-31. "DIAGNOSTIC PROCEDURE 6"](#).

\*5: [SRS-25. "DIAGNOSTIC PROCEDURE 3"](#).

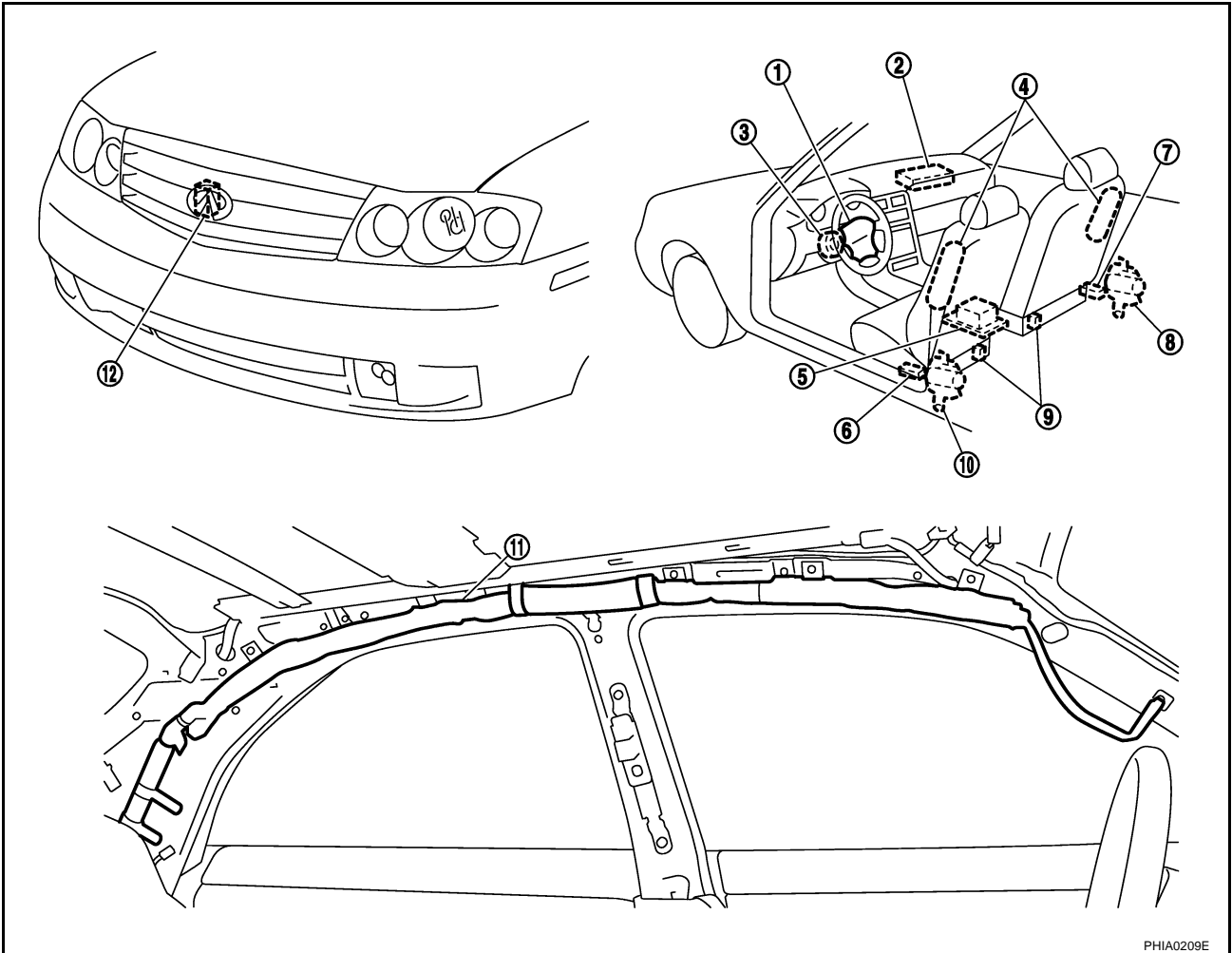
\*6: [SRS-31. "DIAGNOSTIC PROCEDURE 6"](#).

PHIA0217E

# TROUBLE DIAGNOSIS

## SRS Component Parts Location

AHS000BK



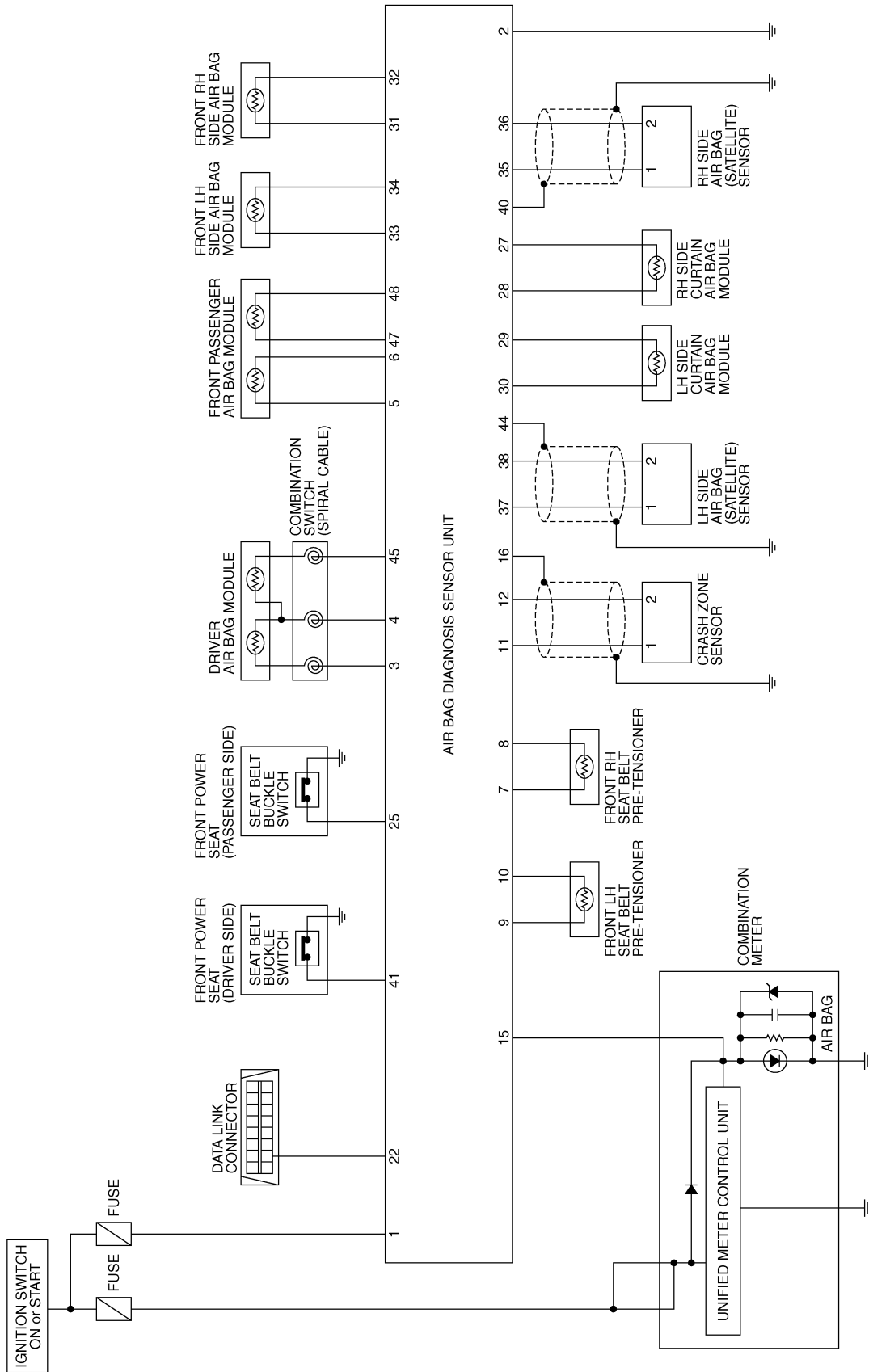
PHIA0209E

- |                                       |                                   |                                       |
|---------------------------------------|-----------------------------------|---------------------------------------|
| 1. Driver air bag module              | 2. Front passenger air bag module | 3. Spiral cable                       |
| 4. Front side air bag module          | 5. Diagnosis sensor unit          | 6. LH side air bag (satellite) sensor |
| 7. RH side air bag (satellite) sensor | 8. Seat belt pre-tensioner RH     | 9. Seat belt buckle switches          |
| 10. Seat belt pre-tensioner LH        | 11. Side curtain air bag module   | 12. Crash zone sensor                 |

# TROUBLE DIAGNOSIS

## Schematic

AHS0008L



A  
B  
C  
D  
E  
F  
G  
**SRS**  
I  
J  
K  
L  
M

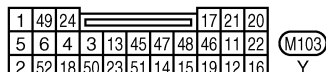
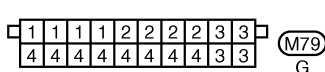
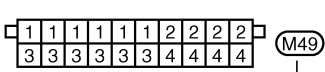
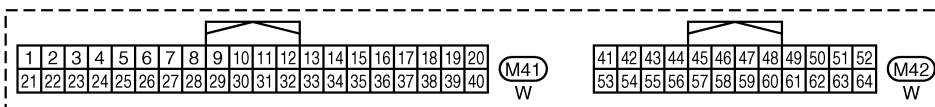
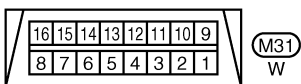
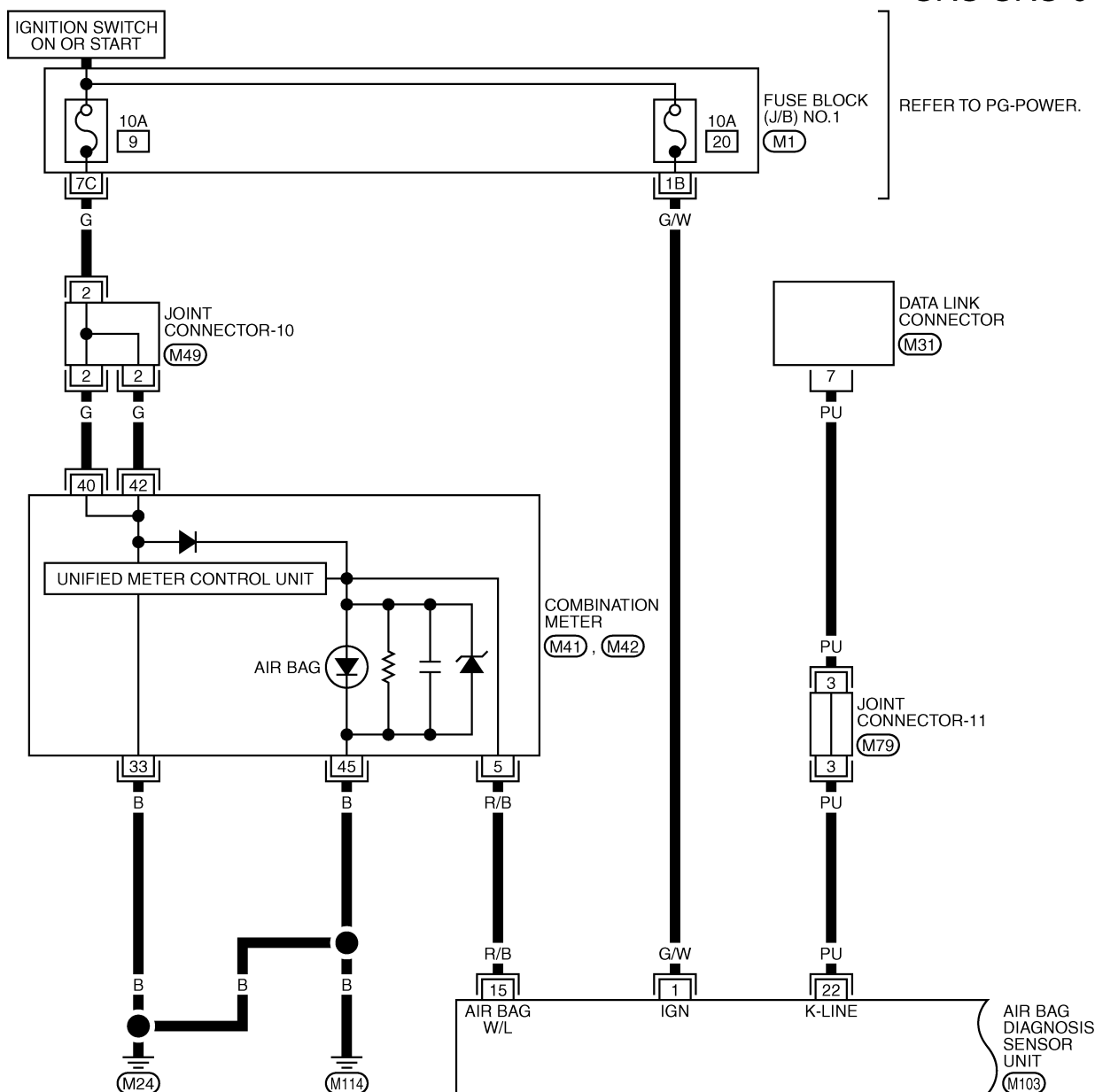
THWA0014E

# TROUBLE DIAGNOSIS

## Wiring Diagram-SRS-

AHS0008M

### SRS-SRS-01



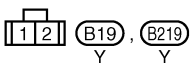
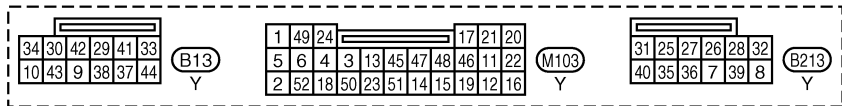
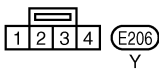
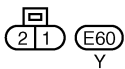
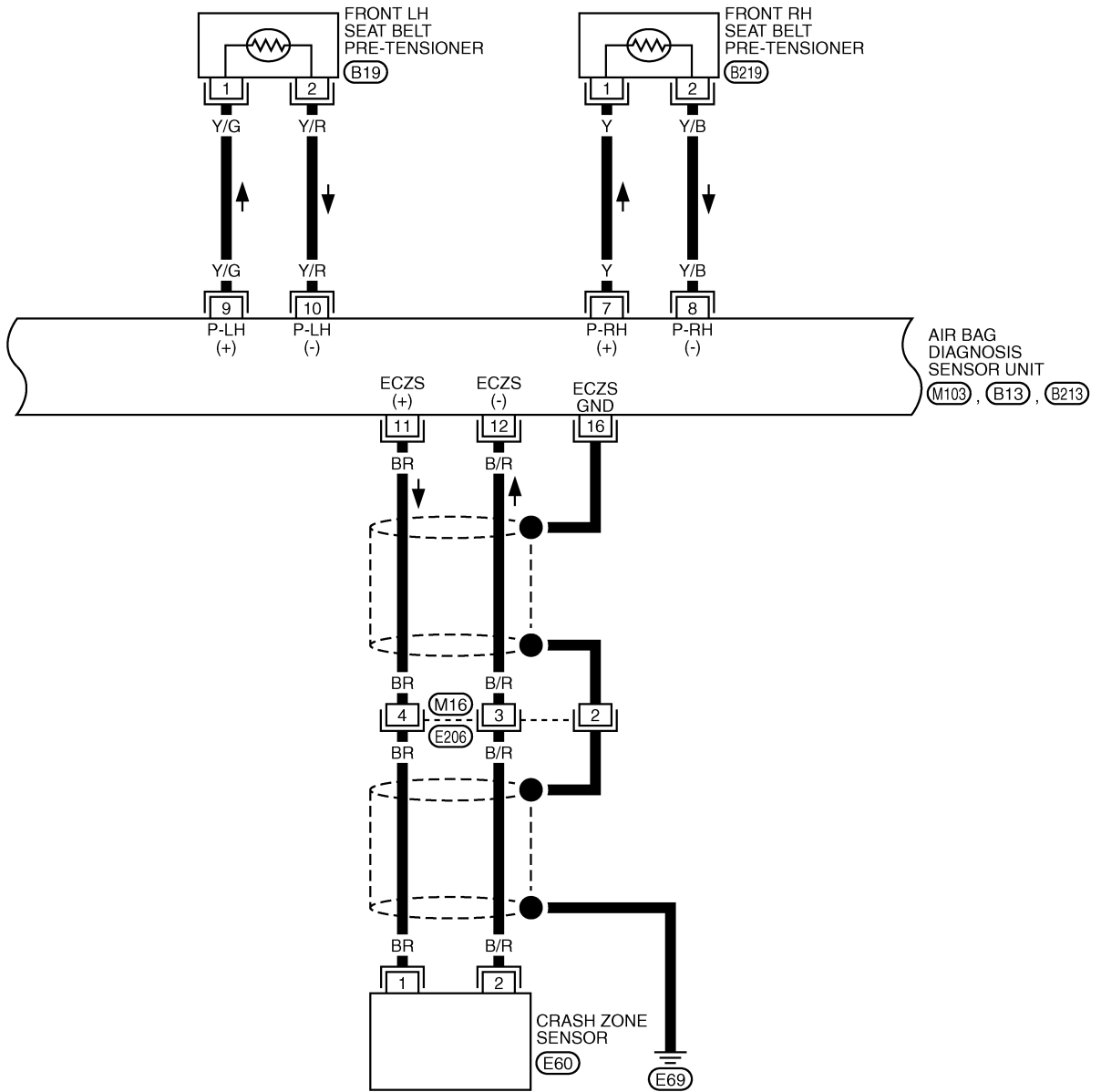
REFER TO THE FOLLOWING.  
 (M1) - FUSE BLOCK-JUNCTION BOX (J/B) NO.1

THWA0015E



# TROUBLE DIAGNOSIS

SRS-SRS-03

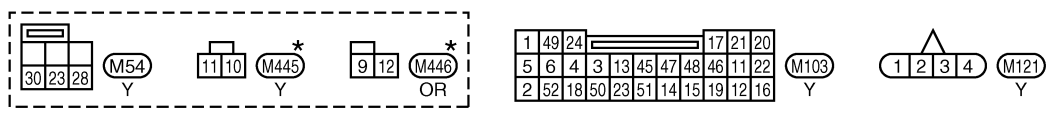
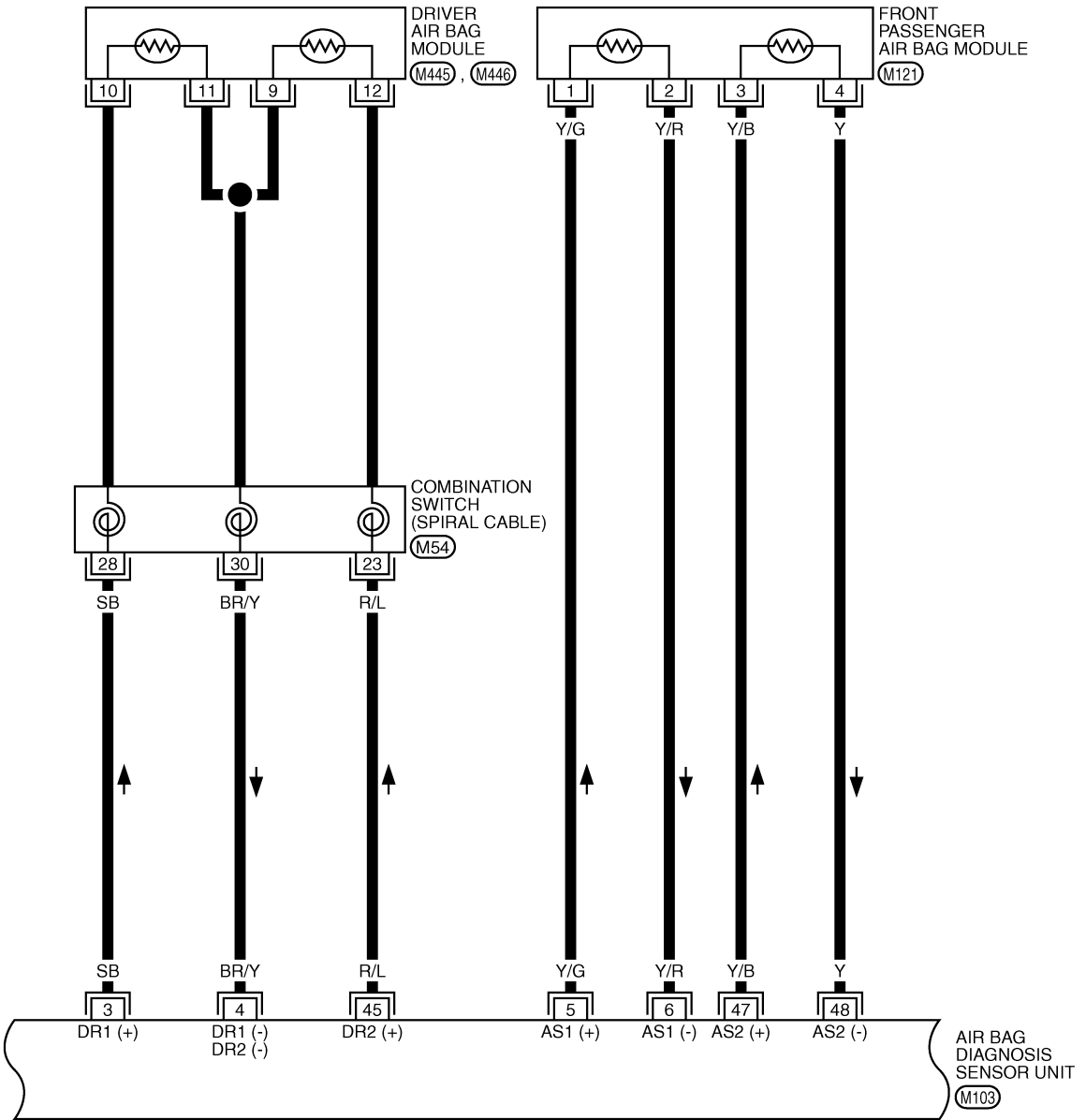


THWA0017E

# TROUBLE DIAGNOSIS

SRS-SRS-04

A  
B  
C  
D  
E  
F  
G  
**SRS**  
I  
J  
K  
L  
M

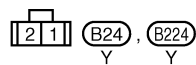
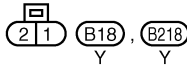
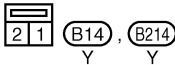
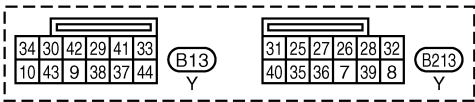
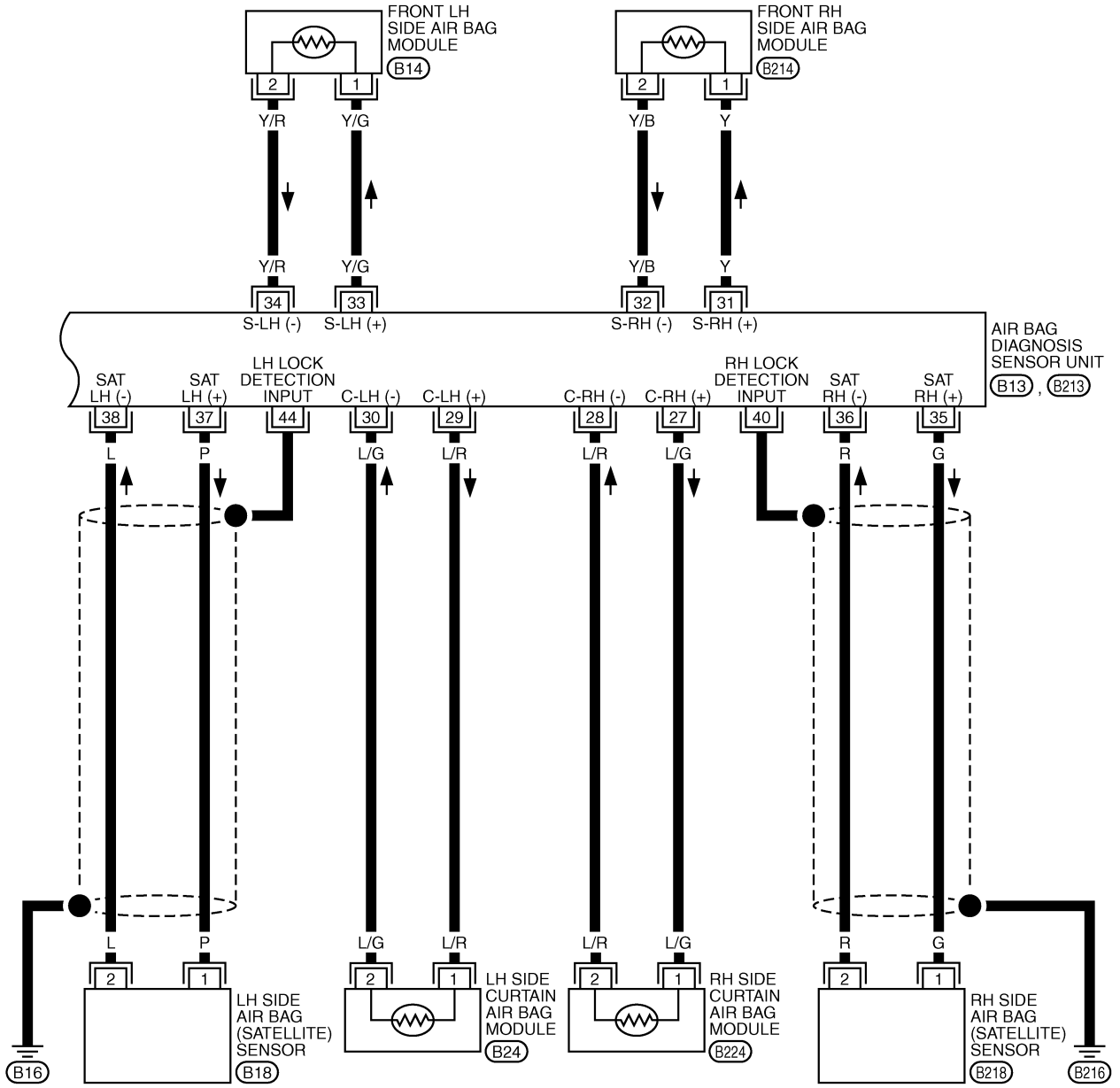


★: THIS CONNECTOR IS NOT SHOWN IN "HARNESS LAYOUT", PG SECTION.

THWA0018E

# TROUBLE DIAGNOSIS

SRS-SRS-05



THWA0019E

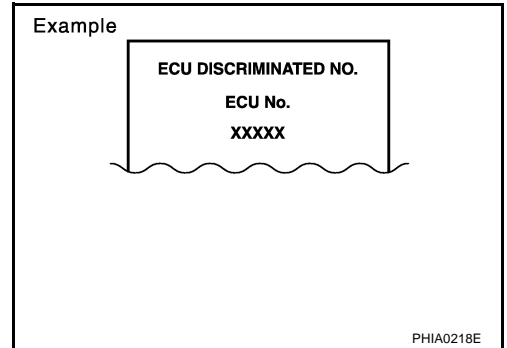


# TROUBLE DIAGNOSIS

AHS000BJ

## CONSULT-II Function DIAGNOSIS MODE FOR CONSULT-II

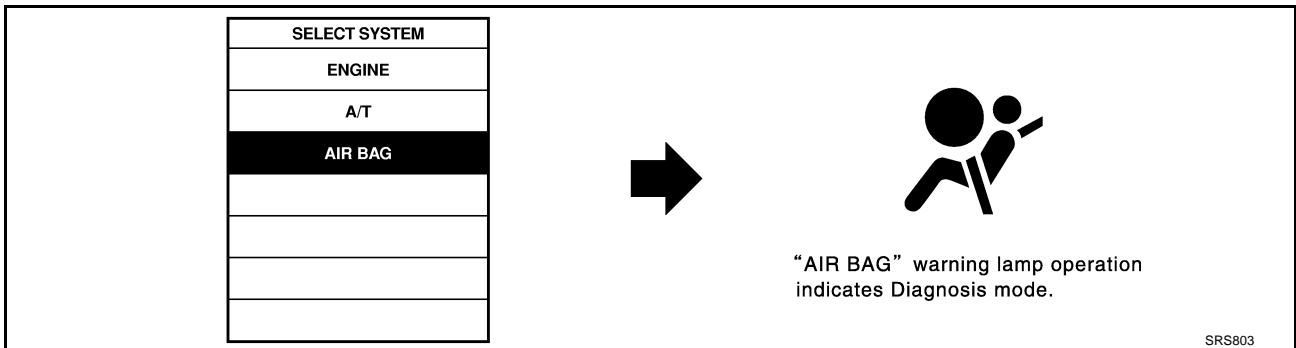
- “SELF-DIAG [CURRENT]”  
A current self-diagnostic result (also indicated by the number of warning lamp flashes in the Diagnosis mode) is displayed on the CONSULT-II screen in real time. This refers to a malfunctioning part requiring repairs.
- “SELF-DIAG [PAST]”  
Diagnosis results previously stored in the memory are displayed on the CONSULT-II screen. The stored results are not erased until memory erasing is executed.
- “TROUBLE DIAG RECORD”  
With TROUBLE DIAG RECORD, diagnosis results previously erased by a reset operation can be displayed on the CONSULT-II screen.
- “ECU DISCRIMINATED NO.”  
The diagnosis sensor unit for each vehicle model is assigned with its own, individual classification number. This number will be displayed on the CONSULT-II screen, as shown. When replacing the diagnosis sensor unit, refer to the part number for the compatibility. After installation, replacement with a correct unit can be checked by confirming this classification number on the CONSULT-II screen.  
After repair, make sure the discriminated number shown in the below table and the discriminated number of diagnosis sensor unit installed to vehicle are same.



Discriminated No.	With driver air bag module and passenger air bag module	With side air bag module and side curtain air bag module
FA67	×	×

## ④ HOW TO CHANGE SELF-DIAGNOSIS MODE WITH CONSULT-II From User Mode to Diagnosis Mode

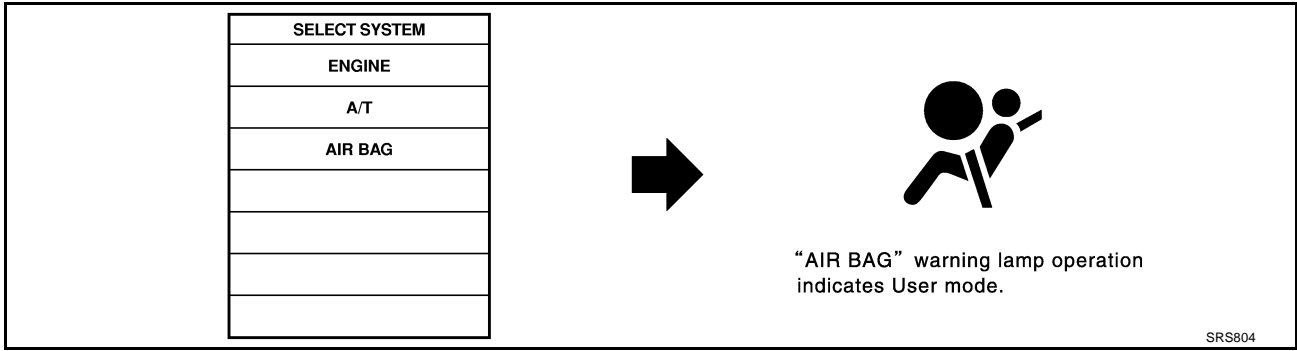
After selecting “AIR BAG” on the “SELECT SYSTEM” screen, User mode automatically changes to Diagnosis mode.



# TROUBLE DIAGNOSIS

## From Diagnosis Mode to User Mode

To return to User mode from Diagnosis mode, touch "BACK" key of CONSULT-II until "SELECT SYSTEM" appears, Diagnosis mode automatically changes to User mode.



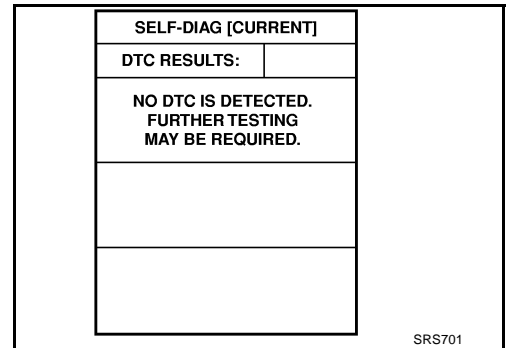
## HOW TO ERASE SELF-DIAGNOSIS RESULTS

- "SELF-DIAG [CURRENT]"  
A current self-diagnostic result is displayed on the CONSULT-II screen in real time. After the malfunction is repaired completely, no malfunction is detected on "SELF-DIAG [CURRENT]".
- "SELF-DIAG [PAST]"  
Return to the "SELF-DIAG [CURRENT]" CONSULT-II screen by touching "BACK" key of CONSULT-II and select "SELF-DIAG [CURRENT]" in SELECT DIAG MODE. Touch "ERASE" in "SELF-DIAG [CURRENT]" mode.

### NOTE:

**If the memory of the malfunction in "SELF-DIAG [PAST]" is not erased, the User mode shows the system malfunction by the operation of the warning lamp even if the malfunction is repaired completely.**

- "TROUBLE DIAG RECORD"  
The memory of "TROUBLE DIAG RECORD" cannot be erased.



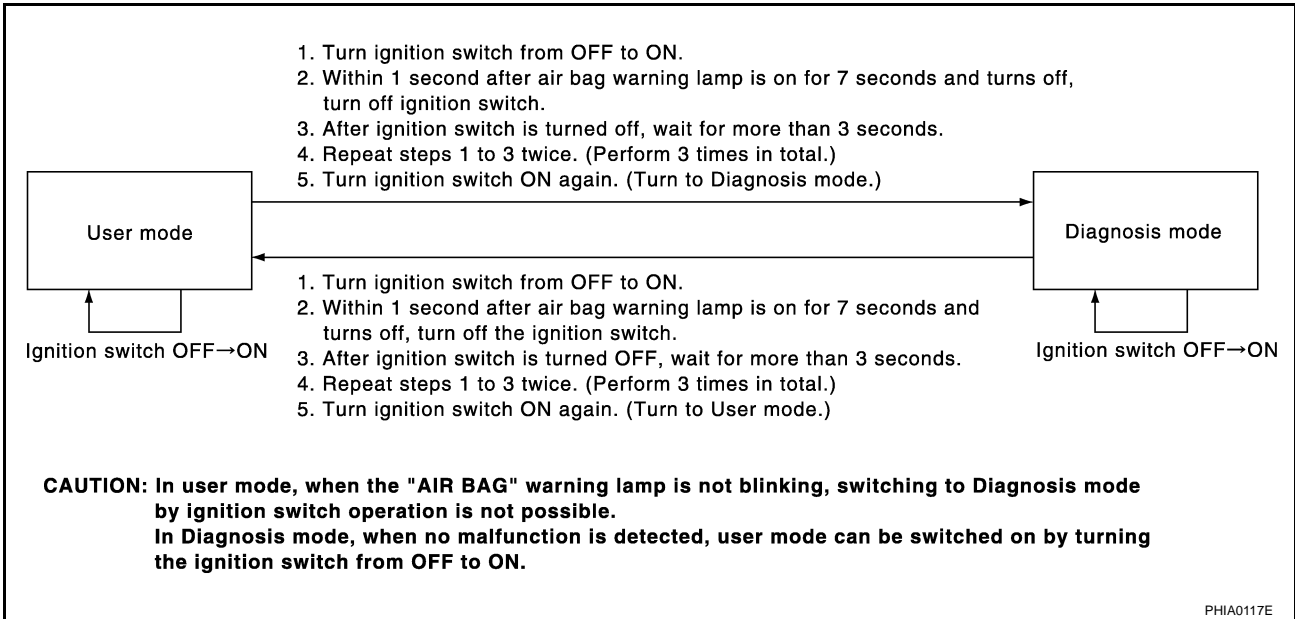
# TROUBLE DIAGNOSIS

## Self-diagnosis Function (Without CONSULT-II)

AHS000BK

- The reading of these results is accomplished using one of two modes — “User mode” and “Diagnosis mode”.
- After a malfunction is repaired, turn the ignition switch OFF for at least one second, then back ON. Diagnosis mode returns to the User mode. At that time, the self-diagnostic result is cleared.

### HOW TO CHANGE SELF-DIAGNOSIS MODE



PHIA0117E

### HOW TO ERASE SELF-DIAGNOSTIC RESULTS

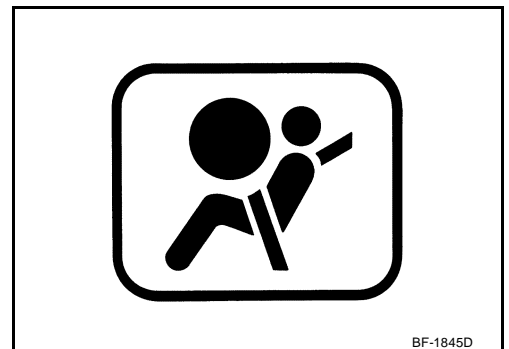
After a malfunction is repaired, turn the ignition switch OFF for at least one second, then back ON. Diagnosis mode returns to the User mode. At that time, the self-diagnostic result is cleared.

## SRS Operation Check DIAGNOSTIC PROCEDURE 1

AHS000BL

### Checking Air Bag Operation by Using “AIR BAG” Warning Lamp-User Mode

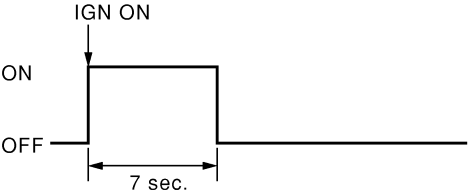
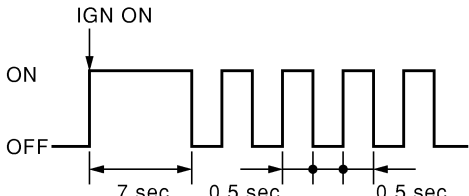
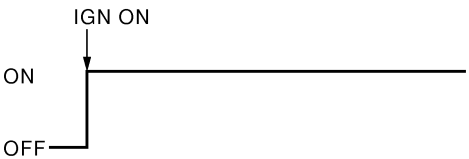
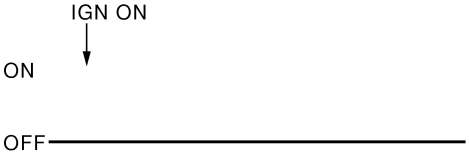
1. Turn the ignition switch from OFF to ON, and check that the air bag warning lamp blinks.
2. Compare the SRS air bag warning lamp blinking pattern with the examples.



BF-1845D

# TROUBLE DIAGNOSIS

## Warning lamp examples

"AIR BAG" warning lamp operation - User mode-	SRS condition	Reference item
 <p style="text-align: right; margin-right: 50px;">SHIA0011E</p>	<ul style="list-style-type: none"> <li>● No malfunction is detected.</li> <li>● No further action is necessary.</li> </ul>	—
 <p style="text-align: right; margin-right: 50px;">SHIA0012E</p>	<ul style="list-style-type: none"> <li>● The system is malfunctioning and need to be repaired as indicated.</li> </ul>	<p>Go to <a href="#">SRS-21, "DIAGNOSTIC PROCEDURE 2"</a> or <a href="#">SRS-31, "DIAGNOSTIC PROCEDURE 6"</a>.</p>
 <p style="text-align: right; margin-right: 50px;">SHIA0013E</p>	<ul style="list-style-type: none"> <li>● Air bag is deployed.</li> <li>● Seat belt pre-tensioner is deployed.</li> <li>● Diagnosis sensor unit is malfunctioning.</li> <li>● Air bag power supply circuit is malfunctioning.</li> <li>● SRS air bag warning lamp circuit is malfunctioning.</li> </ul>	<p>Go to <a href="#">SRS-58, "COLLISION DIAGNOSIS"</a>.</p> <p>Go to <a href="#">SRS-36, "Trouble Diagnoses: "AIR BAG" Warning Lamp Does Not Turn Off"</a>.</p>
 <p style="text-align: right; margin-right: 50px;">SHIA0014E</p>	<ul style="list-style-type: none"> <li>● Diagnosis sensor unit is malfunctioning.</li> <li>● Air bag warning lamp circuit is malfunctioning.</li> </ul>	<p>Go to <a href="#">SRS-37, "Trouble Diagnoses: "AIR BAG" Warning Lamp Does Not Turn On"</a>.</p>

# TROUBLE DIAGNOSIS

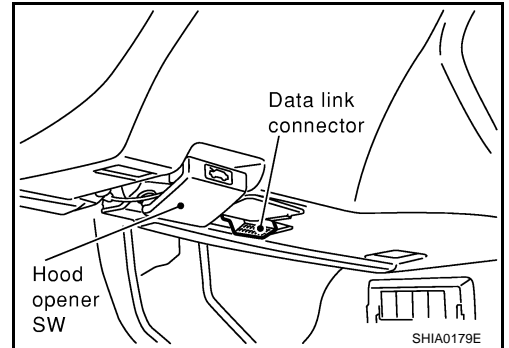
## Trouble Diagnoses with CONSULT-II DIAGNOSTIC PROCEDURE 2

AHS000BM

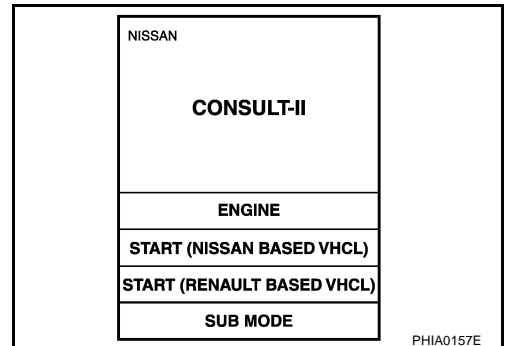
### CAUTION:

If CONSULT-II is used with no connection of CONSULT-II CONVERTER, malfunctions might be detected in self-diagnosis depending on control unit which carry out CAN communication.

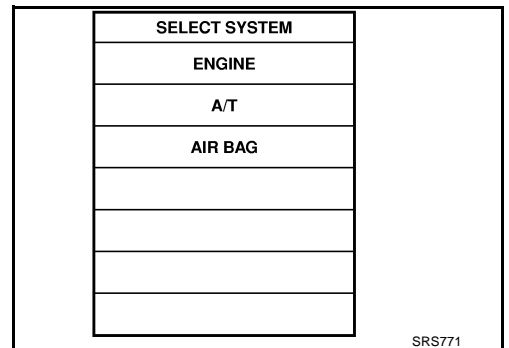
1. Turn ignition switch OFF.
2. Connect CONSULT-II and CONSULT-II CONVERTER to the data link connector.



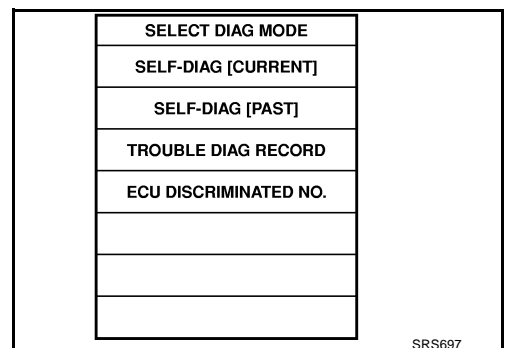
3. Turn ignition switch ON.
4. Touch "START(NISSAN BASED VHCL)".



5. Touch "AIR BAG".  
If "AIR BAG" is not indicated, go to [GI-38, "CONSULT-II Data Link Connector \(DLC\) Circuit"](#).



6. Touch "SELF-DIAG [CURRENT]".

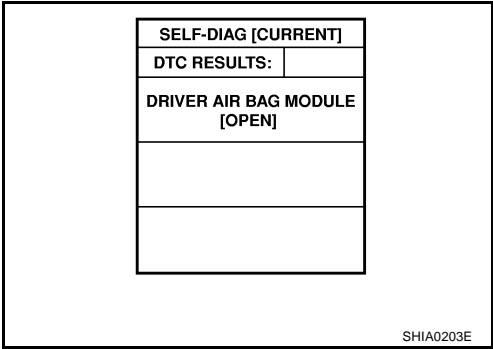


A  
B  
C  
D  
E  
F  
G  
I  
J  
K  
L  
M

SRS

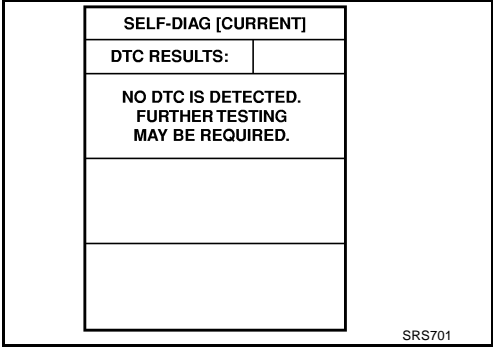
# TROUBLE DIAGNOSIS

7. Diagnostic code is displayed on "SELF-DIAG [CURRENT]".



If no malfunction is detected on "SELF-DIAG [CURRENT]" even though malfunction is detected in "SRS Operation Check", check the battery voltage. If the battery voltage is less than 9V, charge or replace the battery. Refer to [SRS-25, "DIAGNOSTIC PROCEDURE 3"](#) . If the battery voltage is OK, go to [SRS-27, "DIAGNOSTIC PROCEDURE 4 \(CONTINUED FROM DIAGNOSTIC PROCEDURE 2\)"](#) diagnose the following cases:

- Self-diagnostic result "SELF-DIAG [PAST]" (previously stored in the memory) might not be erased after repair.
- The SRS system malfunctions intermittently.



## CONSULT-II Diagnostic Code Chart ("SELF-DIAG [CURRENT]")

Diagnostic item	Explanation	Repair order "Recheck SRS at each replacement"
NO DTC IS DETECTED.	When malfunction is indicated by the "AIR BAG" warning lamp in User mode.	<ul style="list-style-type: none"> <li>● Go to <a href="#">SRS-25, "DIAGNOSTIC PROCEDURE 3"</a> after charging the battery.</li> <li>● Go to <a href="#">SRS-27, "DIAGNOSTIC PROCEDURE 4 (CONTINUED FROM DIAGNOSTIC PROCEDURE 2)"</a> .</li> <li>● Go to <a href="#">SRS-27, "DIAGNOSTIC PROCEDURE 5"</a> .</li> </ul>
	<ul style="list-style-type: none"> <li>● Low battery voltage (Less than 9V)</li> <li>● Self-diagnostic result "SELF-DIAG [PAST]" (previously stored in the memory) might not be erased after repair.</li> <li>● Intermittent malfunction has been detected in the past.</li> </ul>	
	<ul style="list-style-type: none"> <li>● No malfunction is detected.</li> </ul>	—
DRIVER AIRBAG MODULE [OPEN]	<ul style="list-style-type: none"> <li>● Driver air bag module circuit is open (including the spiral cable).</li> </ul>	<ol style="list-style-type: none"> <li>1. Visually check the wiring harness connection.</li> <li>2. Replace the harness if it has visible damage.</li> <li>3. Replace driver air bag module. (Before disposal, it must be deployed.)</li> <li>4. Replace the spiral cable.</li> <li>5. Replace the diagnosis sensor unit.</li> <li>6. Replace the related harness.</li> </ol>
DRIVER AIRBAG MODULE [VB-SHORT]	<ul style="list-style-type: none"> <li>● Driver air bag module circuit is shorted to a power supply circuit (including the spiral cable).</li> </ul>	
DRIVER AIRBAG MODULE [GND-SHORT]	<ul style="list-style-type: none"> <li>● Driver air bag module circuit is shorted to ground (including the spiral cable).</li> </ul>	
DRIVER AIRBAG MODULE [SHORT]	<ul style="list-style-type: none"> <li>● Driver air bag module circuits is shorted between lines.</li> </ul>	

## TROUBLE DIAGNOSIS

Diagnostic item	Explanation	Repair order "Recheck SRS at each replacement"
ASSIST A/B MODULE [OPEN]	● Front passenger air bag module circuit is open.	1. Visually check the wiring harness connection.
ASSIST A/B MODULE [VB-SHORT]	● Front passenger air bag module circuit is shorted to a power supply circuit.	2. Replace the harness if it has visible damage.
ASSIST A/B MODULE [GND-SHORT]	● Front passenger air bag module circuit is shorted to ground.	3. Replace front passenger air bag module. (Before disposal of it, it must be deployed.)
ASSIST A/B MODULE [SHORT]	● Front passenger air bag module circuit is shorted between lines.	4. Replace the diagnosis sensor unit. 5. Replace the related harness.
CRASH ZONE SEN [UNIT FAIL] CRASH ZONE SEN [COMM FAIL] CRASH ZONE SEN [UNMATCH]	● Crash zone sensor	1. Visually check the wiring harness connection. 2. Replace the harness if it has visible damage. 3. Replace the crash zone sensor. 4. Replace the diagnosis sensor unit. 5. Replace the related harness.
SIDE MODULE LH [OPEN]	● Front LH side air bag module circuit is open.	1. Visually check the wiring harness connection.
SIDE MODULE LH [VB-SHORT]	● Front LH side air bag module circuit is shorted to a power supply circuit.	2. Replace the harness if it has visible damage.
SIDE MODULE LH [GND-SHORT]	● Front LH side air bag module circuit is shorted to ground.	3. Replace front LH setback assembly (front LH side air bag module). (Before disposal, it must be deployed.)
SIDE MODULE LH [SHORT]	● Front LH side air bag module circuit is shorted between lines.	4. Replace the diagnosis sensor unit. 5. Replace the related harness.
SIDE MODULE RH [OPEN]	● Front RH side air bag module circuit is open.	1. Visually check the wiring harness connection.
SIDE MODULE RH [VB-SHORT]	● Front RH side air bag module circuit is shorted to a power supply circuit.	2. Replace the harness if it has visible damage.
SIDE MODULE RH [GND-SHORT]	● Front RH side air bag module circuit is shorted to ground.	3. Replace front RH setback assembly (front RH side air bag module). (Before disposal, it must be deployed.)
SIDE MODULE RH [SHORT]	● Front RH side air bag module circuit is shorted between lines.	4. Replace the diagnosis sensor unit. 5. Replace the related harness.
SATELLITE SENS LH [UNIT FAIL] SATELLITE SENS LH [COMM FAIL] SATELLITE SENS LH [UNMATCH]	● LH side air bag (Satellite) sensor	1. Visually check the wiring harness connection. 2. Replace the harness if it has visible damage. 3. Replace the LH side air bag (Satellite) sensor. 4. Replace the diagnosis sensor unit. 5. Replace the related harness.
SATELLITE SENS RH [UNIT FAIL] SATELLITE SENS RH [COMM FAIL] SATELLITE SENS RH [UNMATCH]	● RH side air bag (Satellite) sensor	1. Visually check the wiring harness connection. 2. Replace the harness if it has visible damage. 3. Replace the RH side air bag (Satellite) sensor. 4. Replace the diagnosis sensor unit. 5. Replace the related harness.

A  
B  
C  
D  
E  
F  
G  
I  
J  
K  
L  
M

SRS

## TROUBLE DIAGNOSIS

Diagnostic item	Explanation	Repair order "Recheck SRS at each replacement"
PRE-TEN FRONT LH [OPEN]	● Front LH pre-tensioner circuit is open.	1. Visually check the wiring harness connections.
PRE-TEN FRONT LH [VB-SHORT]	● Front LH pre-tensioner circuit is shorted to a power supply circuit.	2. Replace the harness if it has visible damage.
PRE-TEN FRONT LH [GND-SHORT]	● Front LH pre-tensioner circuit is shorted to ground.	3. Replace front LH seat belt. (Before disposal, it must be deactivated.)
PRE-TEN FRONT LH [SHORT]	● Front LH pre-tensioner circuit is shorted between lines.	4. Replace the diagnosis sensor unit. 5. Replace the related harness.
PRE-TEN FRONT RH [OPEN]	● Front RH pre-tensioner circuit is shorted to each other.	1. Visually check the wiring harness connections.
PRE-TEN FRONT RH [VB-SHORT]	● Front RH pre-tensioner circuit is shorted to a power supply circuit.	2. Replace the harness if it has visible damage.
PRE-TEN FRONT RH [GND-SHORT]	● Front RH pre-tensioner circuit is shorted to ground.	3. Replace front RH seat belt. (Before disposing, it must be deactivated.)
PRE-TEN FRONT RH [SHORT]	● Front RH pre-tensioner circuit is shorted between lines.	4. Replace the diagnosis sensor unit. 5. Replace the related harness.
CURTAIN MODULE LH [OPEN]	● LH side curtain air bag module circuit is open.	1. Visually check the wiring harness connection.
CURTAIN MODULE LH [VB-SHORT]	● LH side curtain air bag module circuit is shorted to a power supply circuits.	2. Replace the harness if it has visible damage.
CURTAIN MODULE LH [GND-SHORT]	● LH side curtain air bag module circuit is shorted to ground.	3. Replace LH side curtain air bag module. (Before disposal, it must be deployed.)
CURTAIN MODULE LH [SHORT]	● LH side curtain air bag module circuit is shorted between lines.	4. Replace the diagnosis sensor unit. 5. Replace the related harness.
CURTAIN MODULE RH [OPEN]	● RH side curtain air bag module circuit is open.	1. Visually check the wiring harness connection.
CURTAIN MODULE RH [VB-SHORT]	● RH side curtain air bag module circuit is shorted to a power supply circuit.	2. Replace the harness if it has visible damage.
CURTAIN MODULE RH [GND-SHORT]	● RH side curtain air bag module circuit is shorted to ground.	3. Replace RH side curtain air bag module. (Before disposal, it must be deployed.)
CURTAIN MODULE RH [SHORT]	● RH side curtain air bag module circuit is shorted between lines.	4. Replace the diagnosis sensor unit. 5. Replace the related harness.
CONTROL UNIT	● Diagnosis sensor unit is malfunctioning.	1. Visually check the wiring harness connection. 2. Replace the diagnosis sensor unit.

### NOTE:

- Follow the procedures in numerical order when repairing malfunctioning parts. Confirm whether malfunction is eliminated using air bag warning lamp or CONSULT-II each time repair is finished. If malfunction is still observed, proceed to the next step. When malfunction is eliminated, further repair work is not required.



# TROUBLE DIAGNOSIS

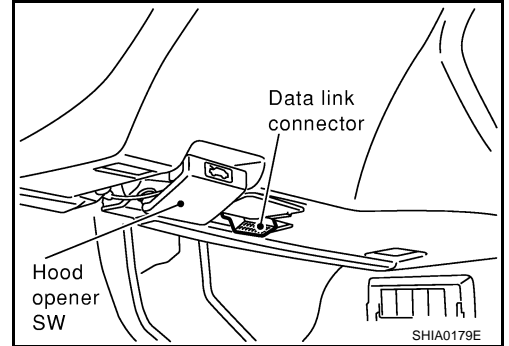
## DIAGNOSTIC PROCEDURE 3

### Final checking after repairing SRS by using CONSULT-II — Diagnosis mode

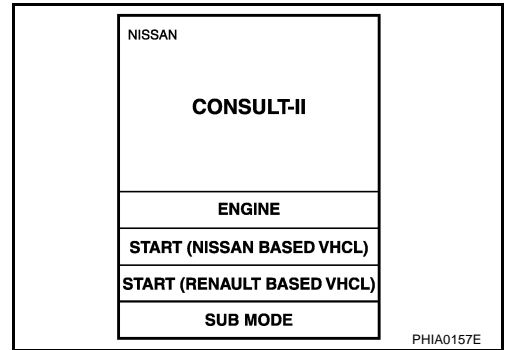
**CAUTION:**

If CONSULT-II is used with no connection of CONSULT-II CONVERTER, malfunctions might be detected in self-diagnosis depending on control unit which carry out CAN communication.

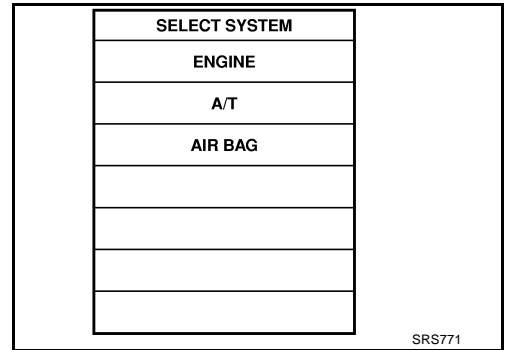
1. After repairing SRS, connect both battery cables.
2. Connect CONSULT-II and CONSULT-II CONVERTER to data link connector.



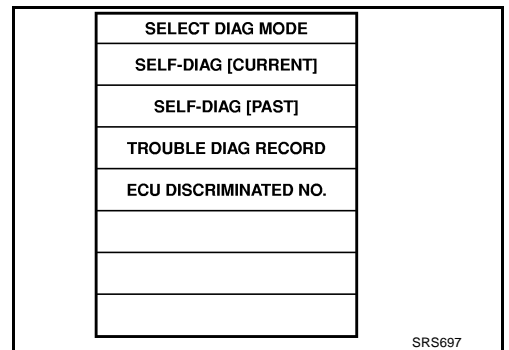
3. Turn ignition switch ON.
4. Touch "START(NISSAN BASED VHCL)".



5. Touch "AIR BAG".  
If "AIR BAG" is not indicated, go to [GI-38, "CONSULT-II Data Link Connector \(DLC\) Circuit"](#).



6. Touch "SELF-DIAG [CURRENT]".



A  
B  
C  
D  
E  
F  
G  
I  
J  
K  
L  
M

SRS

# TROUBLE DIAGNOSIS

7. If no malfunction is detected on "SELF-DIAG [CURRENT]", repair of SRS is completed. Go to step 8.  
 If any malfunction is detected on "SELF-DIAG [CURRENT]", the malfunctioning part is not repaired completely or another malfunctioning part is detected. Go to [SRS-21, "DIAGNOSTIC PROCEDURE 2"](#) , and repair malfunctioning part completely.

SELF-DIAG [CURRENT]	
DTC RESULTS:	
NO DTC IS DETECTED. FURTHER TESTING MAY BE REQUIRED.	

SRS701

8. Touch "ERASE".

**NOTE:**

Touch "ERASE" to clear the memory of the malfunction ("SELF-DIAG [PAST]").

If the memory of the malfunction in "SELF-DIAG [PAST]" is not erased, the User mode shows the system malfunction by the operation of the warning lamp even if the malfunction is repaired completely.

SELF-DIAG [CURRENT]	
DTC RESULTS:	
AIR BAG MODULE [OPEN]	
ERASE	

SRS773

9. Touch "BACK" key of CONSULT-II to "SELECT DIAG MODE" screen. Touch "SELF-DIAG [PAST]".

SELECT DIAG MODE
SELF-DIAG [CURRENT]
SELF-DIAG [PAST]
TROUBLE DIAG RECORD
ECU DISCRIMINATED NO.

SRS697

10. Make sure that no malfunction is detected on "SELF-DIAG [PAST]".
11. Touch "BACK" key of CONSULT-II until "SELECT SYSTEM" appears in order to return to User mode from Diagnosis mode.
12. Turn ignition switch OFF then turn off and disconnect CONSULT-II.
13. Go to [SRS-19, "Checking Air Bag Operation by Using "AIR BAG" Warning Lamp-User Mode"](#) .

SELF-DIAG [PAST]	
DTC RESULTS:	
NO DTC IS DETECTED. FURTHER TESTING MAY BE REQUIRED.	

SRS702

# TROUBLE DIAGNOSIS

## DIAGNOSTIC PROCEDURE 4 (CONTINUED FROM DIAGNOSTIC PROCEDURE 2)

### Inspecting SRS malfunctioning record

#### 1. CONSIDER POSSIBILITY OF NOT ERASING SELF-DIAGNOSTIC RESULTS AFTER REPAIRING

Is it the first time for maintenance of SRS?

Yes or No

Yes >> Go to [SRS-21, "DIAGNOSTIC PROCEDURE 2"](#).

No >> Self-diagnostic results "SELF-DIAG [PAST]" (previously stored in the memory) might not be erased after repair. Go to [SRS-25, "DIAGNOSTIC PROCEDURE 3"](#).

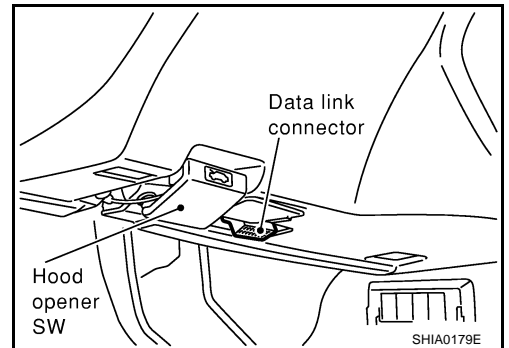
## DIAGNOSTIC PROCEDURE 5

### Inspecting SRS intermittent malfunction by using CONSULT-II — Diagnosis mode

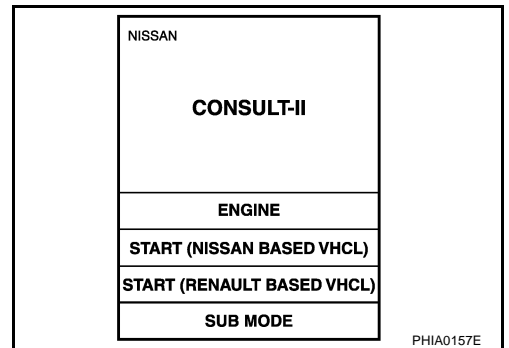
#### CAUTION:

If CONSULT-II is used with no connection of CONSULT-II CONVERTER, malfunction might be detected in self-diagnosis depending on control unit which carry out CAN communication.

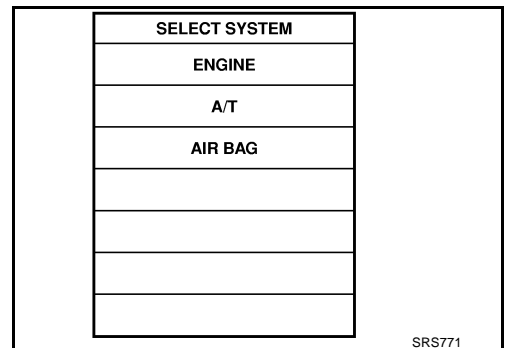
1. Turn ignition switch OFF.
2. Connect CONSULT-II and CONSULT-II CONVERTER to data link connector.



3. Turn ignition switch ON.
4. Touch "START (NISSAN BASED VHCL)".



5. Touch "AIR BAG".  
If "AIR BAG" is not indicated, go to [GI-38, "CONSULT-II Data Link Connector \(DLC\) Circuit"](#).

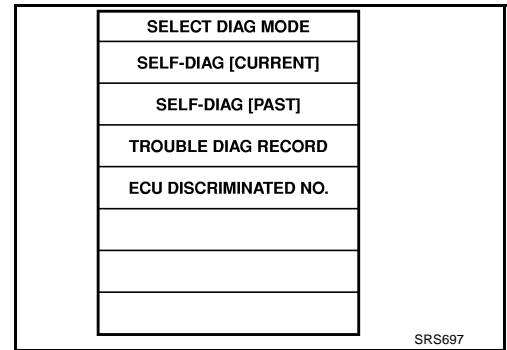


A  
B  
C  
D  
E  
F  
G  
H  
I  
J  
K  
L  
M

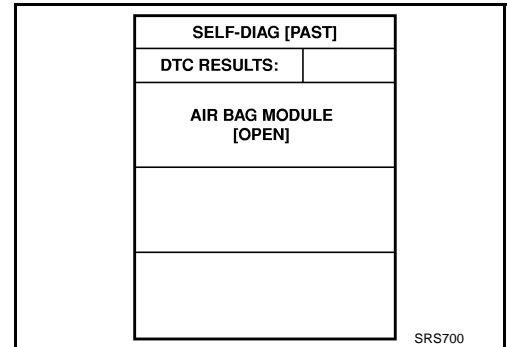
SRS

# TROUBLE DIAGNOSIS

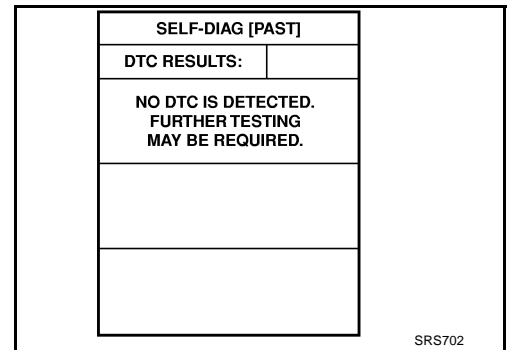
6. Touch "SELF-DIAG [PAST]".



7. If diagnostic codes are displayed on "SELF-DIAG [PAST]", go to step 10.

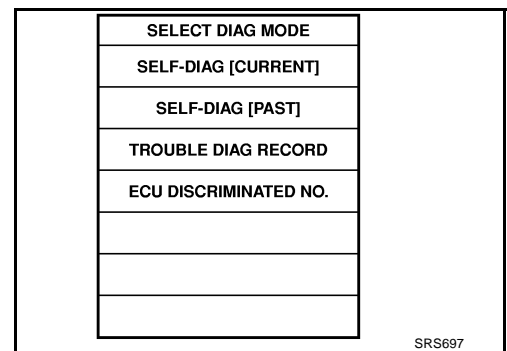


If no malfunction is detected on "SELF-DIAG [PAST]", touch "BACK" and go back to "SELECT DIAG MODE".



8. Touch "TROUBLE DIAG RECORD".

**NOTE:**  
With "TROUBLE DIAG RECORD", diagnosis results previously erased by a reset operation can be displayed.



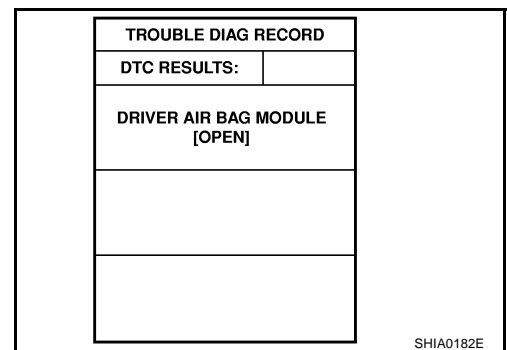
9. Diagnostic code is displayed on "TROUBLE DIAG RECORD".

10. Touch "PRINT".

11. Compare diagnostic codes to [SRS-29. "CONSULT-II Diagnostic Code Chart \("SELF-DIAG \[PAST\]" or TROUBLE DIAG RECORD\)"](#).

12. Touch "BACK" key of CONSULT-II until "SELECT SYSTEM" appears.

13. Turn ignition switch OFF, then turn off and disconnect CONSULT-II, and both battery cables.



## TROUBLE DIAGNOSIS

14. Repair the system as outlined by the "Repair order" in "Intermittent Malfunction Diagnostic Code Chart", that corresponds to the self-diagnostic results. For replacement procedure of component parts, refer to the Removal and Installation procedure for the appropriate component.

15. Go to [SRS-25, "DIAGNOSTIC PROCEDURE 3"](#), for final inspection.

### CONSULT-II Diagnostic Code Chart ("SELF-DIAG [PAST]" or TROUBLE DIAG RECORD")

Diagnostic item	Explanation	Repair order "Recheck SRS at each replacement"
NO DTC IS DETECTED.	When malfunction is indicated by the "AIR BAG" warning lamp in User mode.	<ul style="list-style-type: none"> <li>● Low battery voltage (Less than 9V)</li> </ul>
	<ul style="list-style-type: none"> <li>● No malfunction is detected.</li> </ul>	<ul style="list-style-type: none"> <li>● Go to <a href="#">SRS-25, "DIAGNOSTIC PROCEDURE 3"</a>.</li> </ul>
DRIVER AIRBAG MODULE [OPEN]	<ul style="list-style-type: none"> <li>● Driver air bag module circuit is open (including the spiral cable).</li> </ul>	<ol style="list-style-type: none"> <li>1. Visually check the wiring harness connection.</li> <li>2. Replace the harness if it has visible damage.</li> <li>3. If the harness check result is OK, replace driver air bag module (Before disposal, it must be deployed.), diagnosis sensor unit and spiral cable.</li> </ol>
DRIVER AIRBAG MODULE [VB-SHORT]	<ul style="list-style-type: none"> <li>● Driver air bag module circuit is shorted to a power supply circuit (including the spiral cable).</li> </ul>	
DRIVER AIRBAG MODULE [GND-SHORT]	<ul style="list-style-type: none"> <li>● Driver air bag module circuit is shorted to ground (including the spiral cable).</li> </ul>	
DRIVER AIRBAG MODULE [SHORT]	<ul style="list-style-type: none"> <li>● Driver air bag module circuit is shorted between lines.</li> </ul>	
ASSIST A/B MODULE [OPEN]	<ul style="list-style-type: none"> <li>● Front passenger air bag module circuit is open.</li> </ul>	<ol style="list-style-type: none"> <li>1. Visually check the wiring harness connection.</li> <li>2. Replace the harness if it has visible damage.</li> <li>3. If the harness check result is OK, replace the diagnosis sensor unit and front passenger air bag module (Before disposal, it must be deployed.).</li> </ol>
ASSIST A/B MODULE [VB-SHORT]	<ul style="list-style-type: none"> <li>● Front passenger air bag module circuit is shorted to a power supply circuit.</li> </ul>	
ASSIST A/B MODULE [GND-SHORT]	<ul style="list-style-type: none"> <li>● Front passenger air bag module circuit is shorted to ground.</li> </ul>	
ASSIST A/B MODULE [SHORT]	<ul style="list-style-type: none"> <li>● Front passenger air bag module circuit is shorted between lines.</li> </ul>	
CRASH ZONE SEN [UNIT FAIL] CRASH ZONE SEN [COMM FAIL] CRASH ZONE SEN [UNMATCH]	<ul style="list-style-type: none"> <li>● Crash zone sensor</li> </ul>	<ol style="list-style-type: none"> <li>1. Visually check the wiring harness connection.</li> <li>2. Replace the harness if it has visible damage.</li> <li>3. If the harness check result is OK, replace crash zone sensor and diagnosis sensor unit.</li> </ol>
SIDE MODULE LH [OPEN]	<ul style="list-style-type: none"> <li>● Front LH side air bag module circuit is open.</li> </ul>	<ol style="list-style-type: none"> <li>1. Visually check the wiring harness connection.</li> <li>2. Replace the harness if it has visible damage.</li> <li>3. If the harness check result is OK, replace the diagnosis sensor unit and LH side air bag module. (Before disposal, it must be deployed.).</li> </ol>
SIDE MODULE LH [VB-SHORT]	<ul style="list-style-type: none"> <li>● Front LH side air bag module circuit is shorted to a power supply circuit.</li> </ul>	
SIDE MODULE LH [GND-SHORT]	<ul style="list-style-type: none"> <li>● Front LH side air bag module circuit is shorted to ground.</li> </ul>	
SIDE MODULE LH [SHORT]	<ul style="list-style-type: none"> <li>● Front LH side air bag module circuit is shorted between lines.</li> </ul>	

## TROUBLE DIAGNOSIS

Diagnostic item	Explanation	Repair order "Recheck SRS at each replacement"
SIDE MODULE RH [OPEN]	● Front RH side air bag module circuit is open.	1. Visually check the wiring harness connection. 2. Replace the harness if it has visible damage. 3. If the harness check result is OK, replace the diagnosis sensor unit and RH side air bag module (Before disposal, it must be deployed.)
SIDE MODULE RH [VB-SHORT]	● Front RH side air bag module circuit is shorted to a power supply circuit.	
SIDE MODULE RH [GND-SHORT]	● Front RH side air bag module circuit is shorted to ground.	
SIDE MODULE RH [SHORT]	● Front RH side air bag module circuit is short between lines.	
SATELLITE SENS LH [UNIT FAIL] SATELLITE SENS LH [COMM FAIL] SATELLITE SENS LH [UNMATCH]	● LH side air bag (Satellite) sensor	1. Visually check the wiring harness connection. 2. Replace the harness if it has visible damage. 3. If the harness check result is OK, replace the diagnosis sensor unit and LH side air bag (Satellite) sensor.
SATELLITE SENS RH [UNIT FAIL] SATELLITE SENS RH [COMM FAIL] SATELLITE SENS RH [UNMATCH]	● RH side air bag (Satellite) sensor	1. Visually check the wiring harness connection. 2. Replace the harness if it has visible damage. 3. If the harness check result is OK, replace the diagnosis sensor unit and RH side air bag (Satellite) sensor.
PRE-TEN FRONT LH [OPEN]	● Front LH pre-tensioner circuit is open.	1. Visually check the wiring harness connections. 2. Replace the harness if it has visible damage. 3. If the harness check result is OK, replace the diagnosis sensor unit and front LH seat belt (Before disposal, it must be deactivated.)
PRE-TEN FRONT LH [VB-SHORT]	● Front LH pre-tensioner circuit is shorted to a power supply circuit.	
PRE-TEN FRONT LH [GND-SHORT]	● Front LH pre-tensioner circuit is shorted to ground.	
PRE-TEN FRONT LH [SHORT]	● Front LH pre-tensioner circuit is shorted between lines	
PRE-TEN FRONT RH [OPEN]	● Front RH pre-tensioner circuit is open.	1. Visually check the wiring harness connections. 2. Replace the harness if it has visible damage. 3. If the harness check result is OK, replace the diagnosis sensor unit and front RH seat belt (Before disposal, it must be deactivated.)
PRE-TEN FRONT RH [VB-SHORT]	● Front RH pre-tensioner circuit is shorted to a power supply circuit.	
PRE-TEN FRONT RH [GND-SHORT]	● Front RH pre-tensioner circuit is shorted to ground.	
PRE-TEN FRONT RH [SHORT]	● Front LH pre-tensioner circuit is shorted between lines.	
CURTAIN MODULE LH [OPEN]	● LH side curtain air bag module circuit is open.	1. Visually check the wiring harness connection. 2. Replace the harness if it has visible damage. 3. If the harness check result is OK, replace the diagnosis sensor unit and LH side curtain air bag module. (Before disposal, it must be deployed.)
CURTAIN MODULE LH [VB-SHORT]	● LH side curtain air bag module circuit is shorted to a power supply circuits.	
CURTAIN MODULE LH [GND-SHORT]	● LH side curtain air bag module circuit is shorted to ground.	
CURTAINMODULE LH [SHORT]	● LH side curtain air bag module circuit is shorted between lines.	

# TROUBLE DIAGNOSIS

Diagnostic item	Explanation	Repair order "Recheck SRS at each replacement"
CURTAIN MODULE RH [OPEN]	● RH side curtain air bag module circuit is open.	1. Visually check the wiring harness connection.
CURTAIN MODULE RH [VB-SHORT]	● RH side curtain air bag module circuit is shorted to a power supply circuit.	2. Replace the harness if it has visible damage.
CURTAIN MODULE RH [GND-SHORT]	● RH side curtain air bag module circuit is shorted to ground.	3. If the harness check result is OK, replace the diagnosis sensor unit and RH side curtain air bag module. (Before disposal, it must be deployed.)
CURTAIN MODULE RH [SHORT]	● RH side curtain air bag module circuit is shorted between lines	
CONTROL UNIT	● Diagnosis sensor unit is malfunctioning.	1. Visually check the wiring harness connection. 2. Replace the diagnosis sensor unit.

## Trouble diagnoses without CONSULT-II DIAGNOSTIC PROCEDURE 6

AHS000BN

### Inspecting SRS malfunctioning parts by using "AIR BAG" warning lamp — Diagnosis mode

#### NOTE:

SRS will not enter Diagnosis mode if no malfunction is detected in User mode.

1. Turn ignition switch ON.
2. After "AIR BAG" warning lamp lights for 7 seconds, turn ignition switch OFF within 1 second.
3. Wait more than 3 seconds.
4. Repeat the steps 1 to 3 two times.
5. Turn ignition switch ON.

SRS is now in Diagnosis mode.

"AIR BAG" warning lamp operates in Diagnosis mode as follows:

# TROUBLE DIAGNOSIS

## WARNING LAMP FLASH CODE CHART

<Diagnosis results (previously stored in the memory) might not be erased after repair or intermittent malfunctions have been detected in the past.>

Flash pattern	Repair order
<p>a through b are repeated.</p> <p>IGN ON ON OFF</p> <p>7 sec. 2 sec. 3 sec. 2 sec. 2 sec. 2 sec.</p> <p>a b a b a b</p>	<p>Repair order</p> <ol style="list-style-type: none"> <li>1. Go to DIAGNOSTIC PROCEDURES 2 and 3.</li> </ol>

SHIA0026E

<Driver air bag module>

Flash pattern	Repair order
<p>a through d are repeated.</p> <p>d: Two flashes indicates malfunctioning driver air bag module circuit.</p> <p>ON OFF</p> <p>7 sec. 2 sec. 3 sec. 2 sec. 2 flashes 0.5 sec. 3 sec. 2 sec.</p> <p>a b c d a b</p>	<p>Repair order</p> <ol style="list-style-type: none"> <li>1. Visually check the wiring harness connection.</li> <li>2. Replace the harness if it has visible damage.</li> <li>3. Replace the spiral cable.</li> <li>4. Replace driver air bag module. (Before disposal, it must be deployed.)</li> <li>5. Replace the diagnosis sensor unit.</li> <li>6. Replace the related harness.</li> </ol>

PHIA0185E

<Diagnosis sensor unit>

Flash pattern	Repair order
<p>a through d are repeated.</p> <p>d: Seven flashes indicate malfunctioning diagnosis sensor unit circuit.</p> <p>ON OFF</p> <p>7 sec. 2 sec. 3 sec. 2 sec. 7 flashes 0.5 sec. 3 sec. 2 sec.</p> <p>a b c d a b</p>	<p>Repair order</p> <ol style="list-style-type: none"> <li>1. Visually check the wiring harness connections.</li> <li>2. Replace the harness if it has visible damage.</li> <li>3. Replace the diagnosis sensor unit.</li> <li>4. Replace the related harness.</li> </ol>

SHIA0028E

<Front passenger air bag module>

Flash pattern	Repair order
<p>a through d are repeated.</p> <p>d: Eight flashes indicate malfunctioning front passenger air bag module circuit.</p> <p>ON OFF</p> <p>7 sec. 2 sec. 3 sec. 2 sec. 8 flashes 0.5 sec. 3 sec. 2 sec.</p> <p>a b c d a b</p>	<p>Repair order</p> <ol style="list-style-type: none"> <li>1. Visually check the wiring harness connection.</li> <li>2. Replace the harness if it has visible damage.</li> <li>3. Replace front passenger air bag module. (Before disposal, it must be deployed.)</li> <li>4. Replace the diagnosis sensor unit.</li> <li>5. Replace the related harness.</li> </ol>

SHIA0029E



# TROUBLE DIAGNOSIS

<Crash zone sensor>	
Flash pattern	Repair order
<p>a through d are repeated. d: Six flashes indicate malfunctioning crash zone sensor circuit.</p>	<ol style="list-style-type: none"> <li>1. Visually check the wiring harness connection.</li> <li>2. Replace the harness if it has visible damage.</li> <li>3. Replace the crash zone sensor.</li> <li>4. Replace the diagnosis sensor unit.</li> <li>5. Replace the related harness.</li> </ol>

SHIA0083E

<Front RH seat belt pre-tensioner>	
Flash pattern	Repair order
<p>a through d are repeated. d: One flash indicates malfunctioning front RH seat belt pre-tensioner circuit.</p>	<ol style="list-style-type: none"> <li>1. Visually check the wiring harness connections.</li> <li>2. Replace the harness if it has visible damage.</li> <li>3. Replace front RH seat belt pre-tensioner. (Before disposal, it must be activated.)</li> <li>4. Replace the diagnosis sensor unit.</li> <li>5. Replace the related harness.</li> </ol>

SHIA0030E

<Front LH seat belt pre-tensioner>	
Flash pattern	Repair order
<p>a through d are repeated. d: Three flashes indicate malfunctioning front LH seat belt pre-tensioner circuit.</p>	<ol style="list-style-type: none"> <li>1. Visually check the wiring harness connections.</li> <li>2. Replace the harness if it has visible damage.</li> <li>3. Replace front LH seat belt pre-tensioner. (Before disposal, it must be activated.)</li> <li>4. Replace the diagnosis sensor unit.</li> <li>5. Replace the related harness.</li> </ol>

SHIA0031E

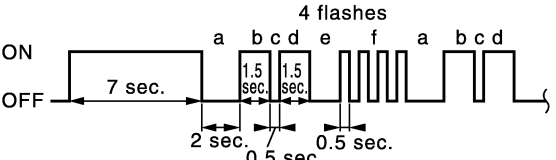
<RH side air bag (Satellite) sensor>	
Flash pattern	Repair order
<p>a through f are repeated. f: Three flashes indicate malfunctioning RH side air bag (Satellite) sensor circuit.</p>	<ol style="list-style-type: none"> <li>1. Visually check the wiring harness connection.</li> <li>2. Replace the harness if it has visible damage.</li> <li>3. Replace the RH side air bag (Satellite) sensor.</li> <li>4. Replace the diagnosis sensor unit.</li> <li>5. Replace the related harness.</li> </ol>

SHIA0032E

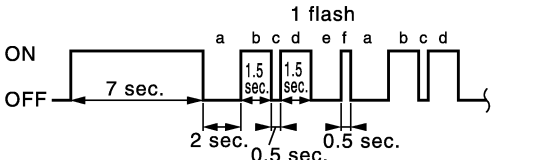
A  
B  
C  
D  
E  
F  
G  
I  
J  
K  
L  
M

SRS

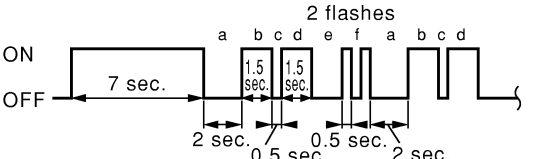
# TROUBLE DIAGNOSIS

<LH side air bag (Satellite) sensor>	
Flash pattern	Repair order
<p>a through f are repeated. f: Four flashes indicate malfunctioning LH side air bag (Satellite) sensor.</p> 	<ol style="list-style-type: none"> <li>1. Visually check the wiring harness connection.</li> <li>2. Replace the harness if it has visible damage.</li> <li>3. Replace the LH side air bag (Satellite) sensor.</li> <li>4. Replace the diagnosis sensor unit.</li> <li>5. Replace the related harness.</li> </ol>

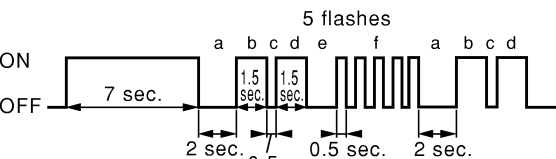
SHIA0033E

<Front RH side air bag module>	
Flash pattern	Repair order
<p>a through f are repeated. f: One flash indicate malfunctioning front RH side air bag module circuit.</p> 	<ol style="list-style-type: none"> <li>1. Visually check the wiring harness connection.</li> <li>2. Replace the harness if it has visible damage.</li> <li>3. Replace front RH side air bag module. (Before disposal, it must be deployed.)</li> <li>4. Replace the diagnosis sensor unit.</li> <li>5. Replace the related harness.</li> </ol>

SHIA0034E

<Front LH side air bag module>	
Flash pattern	Repair order
<p>a through f are repeated. f: Two flashes indicate malfunctioning front LH side air bag module circuit.</p> 	<ol style="list-style-type: none"> <li>1. Visually check the wiring harness connection.</li> <li>2. Replace the harness if it has visible damage.</li> <li>3. Replace front LH side air bag module. (Before disposal, it must be deployed.)</li> <li>4. Replace the diagnosis sensor unit.</li> <li>5. Replace the related harness.</li> </ol>

SHIA0035E

<RH side curtain air bag module>	
Flash pattern	Repair order
<p>a through f are repeated. f: Five flashes indicate malfunctioning RH side curtain air bag module circuit.</p> 	<ol style="list-style-type: none"> <li>1. Visually check the wiring harness connection.</li> <li>2. Replace the harness if it has visible damage.</li> <li>3. Replace RH side curtain air bag module. (Before disposal, it must be deployed.)</li> <li>4. Replace the diagnosis sensor unit.</li> <li>5. Replace the related harness.</li> </ol>

SHIA0084E

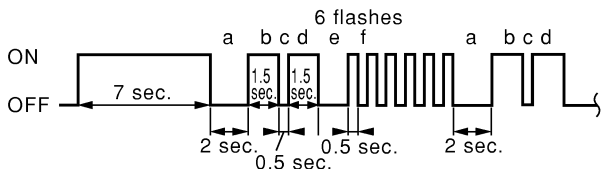
# TROUBLE DIAGNOSIS

<LH side curtain air bag module>

Flash pattern

a through f are repeated.

f: Six flashes indicate malfunctioning LH side curtain air bag module circuit.



Repair order

1. Visually check the wiring harness connection.
2. Replace the harness if it has visible damage.
3. Replace LH side curtain air bag module.  
(Before disposal, it must be deployed.)
4. Replace the diagnosis sensor unit.
5. Replace the related harness.

SHIA0086E

A  
B  
C  
D  
E  
F  
G  
SRS  
I  
J  
K  
L  
M

# TROUBLE DIAGNOSIS

## Trouble Diagnoses: "AIR BAG" Warning Lamp Does Not Turn Off DIAGNOSTIC PROCEDURE 7

AHS000B0

### 1. SEE THE DEPLOYMENT OF AIR BAG MODULE

Is air bag module deployed?

Yes or No

- Yes >> Refer to [SRS-58, "COLLISION DIAGNOSIS"](#).
- No >> GO TO 2.

### 2. CHECK THE AIR BAG FUSE

Check the fuse (No. 20) [located in the fuse block (J/B)].  
Refer to [PG-2, "POWER SUPPLY ROUTING"](#).

OK or NG

- OK >> GO TO 4.
- NG >> GO TO 3.

### 3. CHECK AIR BAG FUSE AGAIN

Replace "AIR BAG" fuse and turn ignition switch ON.

Does the "AIR BAG" fuse blow again?

- Yes >> Repair main harness.
- No >> **INSPECTION END.**

### 4. CHECK DIAGNOSIS SENSOR UNIT

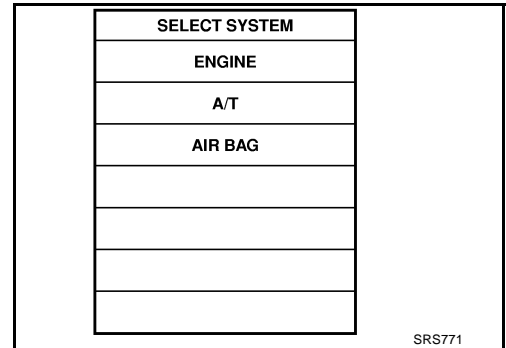


Connect CONSULT-II and touch "START".

- Is "AIR BAG" displayed on CONSULT-II?

Yes or No

- Yes >> GO TO 5.
- No >> Visually check the wiring harness connection of diagnosis sensor unit. If the harness connection check result is OK, replace diagnosis sensor unit.



### 5. CHECK HARNESS CONNECTION

Is harness connection between warning lamp and diagnosis sensor unit OK?

OK or NG

- OK >> Replace diagnosis sensor unit.
- NG >> Connect "AIR BAG" warning lamp and diagnosis sensor unit connector properly. If "AIR BAG" warning lamp still does not go off, replace harness.

# TROUBLE DIAGNOSIS

## Trouble Diagnoses: "AIR BAG" Warning Lamp Does Not Turn On DIAGNOSTIC PROCEDURE 8

AHS000BP

### 1. CHECK "METER" FUSE

Check the 10A meter fuse 9 [located in the fuse block (J/B)].  
Refer to [PG-2, "POWER SUPPLY ROUTING"](#) .

OK or NG

- OK >> GO TO 3.
- NG >> GO TO 2.

### 2. CHECK "METER" FUSE AGAIN

Replace 10A meter fuse (No. 9) [located in the fuse block (J/B)] and turn ignition switch ON.

Does the meter fuse blow again?

- Yes >> Repair the related harness.
- No >> **INSPECTION END.**

### 3. CHECK HARNESS CONNECTION BETWEEN DIAGNOSIS SENSOR UNIT AND COMBINATION METER

Disconnect diagnosis sensor unit connector and turn ignition switch ON.

- Does "AIR BAG" warning lamp turn on?

Yes or No

- Yes >> Replace diagnosis sensor unit.
- No >> Check the ground circuit of "AIR BAG" warning lamp.

A

B

C

D

E

F

G

SRS

I

J

K

L

M

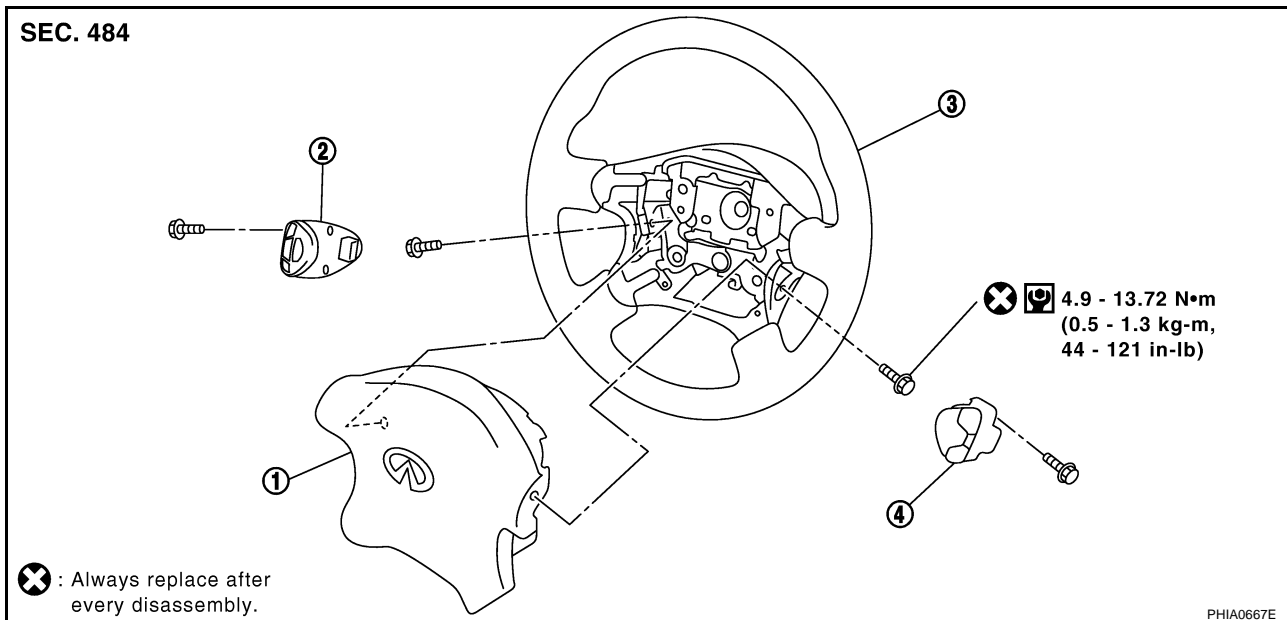
# DRIVER AIR BAG MODULE

## DRIVER AIR BAG MODULE

PFK:K8510

### Removal and Installation

AHS0008U



1. Driver air bag module

2. Steering switch LH

3. Steering wheel

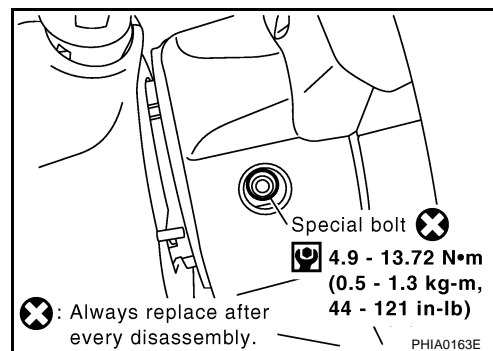
4. Steering switch RH

### REMOVAL

#### CAUTION:

- Before servicing SRS, turn the ignition switch off, disconnect both battery cables and wait at least 3 minutes.
- Always work from the side of driver air bag module.

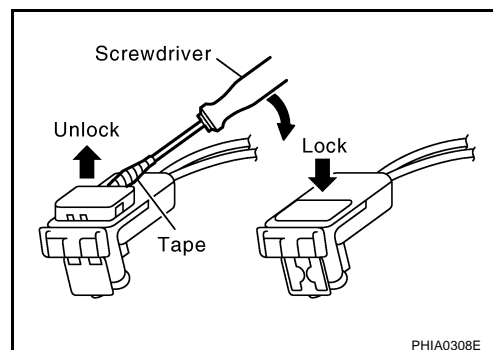
1. Remove the left and right steering switches.
2. Remove the left and right special bolts.



3. Disconnect the air bag harness connector, and remove the driver air bag module.

#### CAUTION:

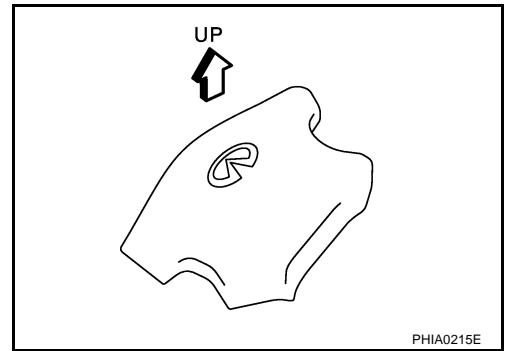
- For installing/removing pre-tensioner seat belt connector, insert thin screwdriver wrapped in tape into notch, lift lock and remove connector.
- Install connector with lock rise, and push lock into connector.



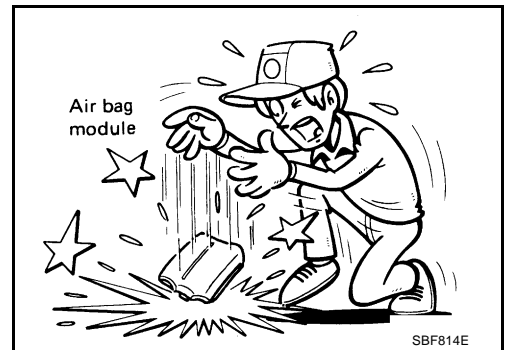
# DRIVER AIR BAG MODULE

## CAUTION:

- Always work from the side of driver air bag module.
- Always place driver air bag module with pad side facing upward.
- Do not insert any foreign objects (screwdriver, etc.) into driver air bag module.
- Do not attempt to disassemble driver air bag module.
- Do not use old bolts after removal; replace with new bolts.



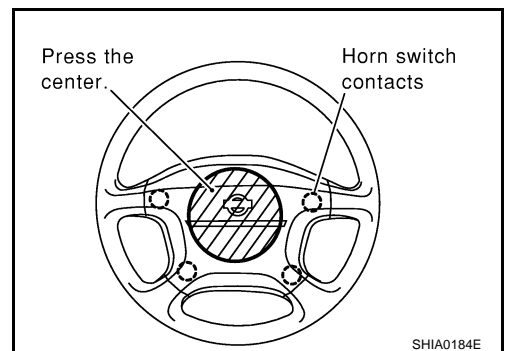
- Do not expose the driver air bag module to temperatures exceeding 90°C (194°F).
- Replace driver air bag module if it has been dropped or sustained an impact.
- Do not allow oil, grease or water to come in contact with the front passenger air bag module.



## INSTALLATION

Install in the reverse order of removal.

- For installing the air bag module, tighten the special bolts with the center of the horn pad pressed to make the contacts/LH) ON.
- After the work is completed, perform self-diagnosis to check that no malfunction is detected. Refer to [SRS-19, "SRS Operation Check"](#).



A  
B  
C  
D  
E  
F  
G  
SRS  
I  
J  
K  
L  
M

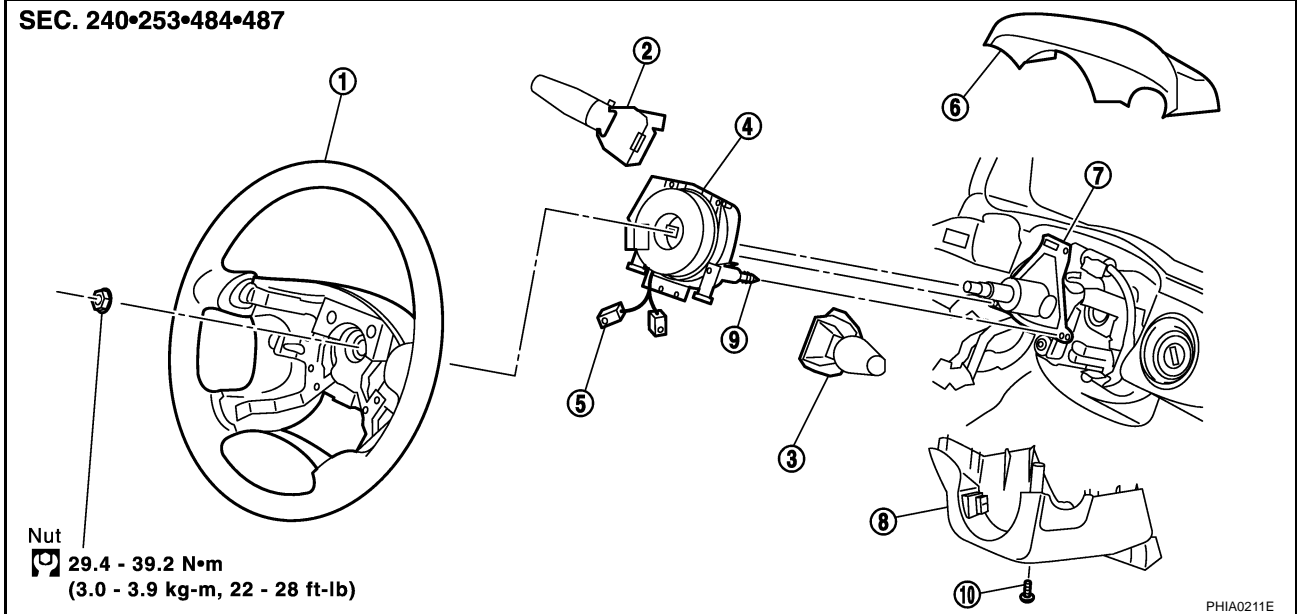
# SPIRAL CABLE

## SPIRAL CABLE

PFP:25554

### Removal and Installation

AHS0008V



- |                    |                                    |                            |
|--------------------|------------------------------------|----------------------------|
| 1. Steering wheel  | 2. Lighting and turn signal switch | 3. Wiper and washer switch |
| 4. Spiral cable    | 5. Driver air bag module connector | 6. Column cover upper      |
| 7. Column assembly | 8. Column cover lower              | 9. Screw (Do not remove)   |
| 10. Screw          |                                    |                            |

### REMOVAL

#### CAUTION:

Before servicing SRS, turn the ignition switch off, disconnect both battery cables and wait at least 3 minutes.

1. Set the steering wheel in the neutral position.
2. Remove driver air bag module. Refer to [SRS-38, "Removal and Installation"](#).
3. Remove the column cover.
4. Disconnect the spiral cable connector and horn connector.
5. Remove steering wheel nut.

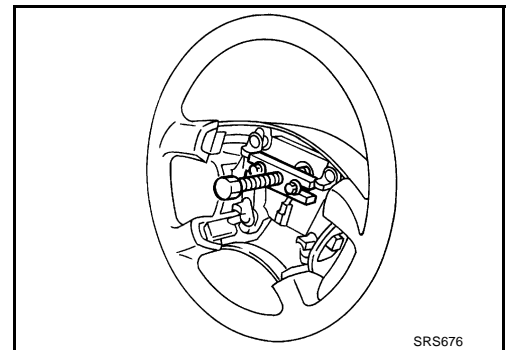
#### CAUTION:

Do not tap or bump the steering wheel.

6. Remove steering wheel with steering wheel puller.

#### CAUTION:

Be careful not to over-tighten puller on steering wheel.





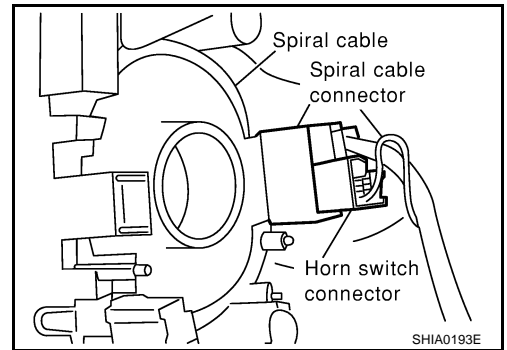
# SPIRAL CABLE

7. Remove the spiral cable fixing screws, remove the spiral cable.

**CAUTION:**

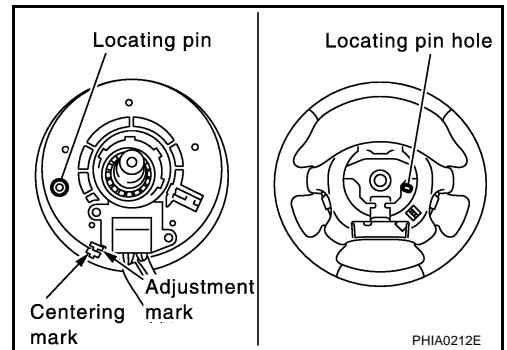
- Do not attempt to disassemble spiral cable.
- Do not apply lubricant to the spiral cable.

8. Remove the wiper washer switch and lighting switch from the spiral cable.



**CAUTION:**

- The spiral cable may snap due to steering operation if the cable is installed in an improper position.
- Also, with the steering linkage disconnected the cable may snap by turning the steering wheel beyond the limited number of turns. The spiral cable can be turned counterclockwise about 2.5 turns from the right end position.



## INSTALLATION

Install in the reverse order of removal.

- After the work is completed, perform self-diagnosis to check that no malfunction is detected. Refer to [SRS-19. "SRS Operation Check"](#).

A  
B  
C  
D  
E  
F  
G  
I  
J  
K  
L  
M

**SRS**

# FRONT PASSENGER AIR BAG MODULE

PFP:K8515

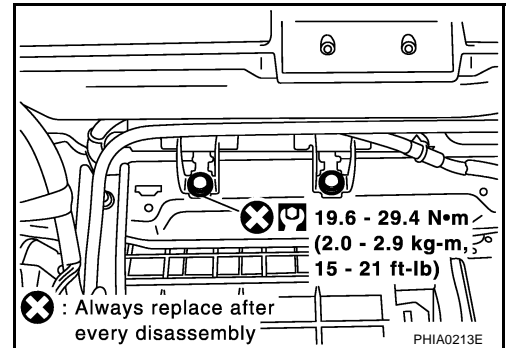
## FRONT PASSENGER AIR BAG MODULE

### Removal and Installation REMOVAL

AHS0008W

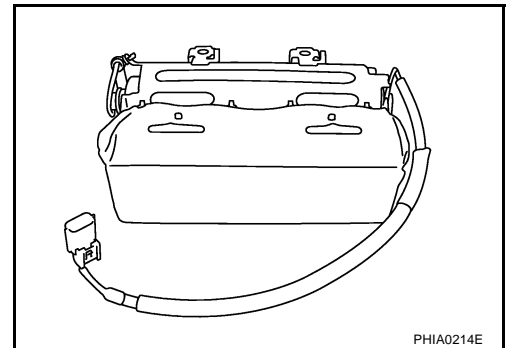
#### CAUTION:

- Before servicing SRS, turn the ignition switch off, disconnect both battery cables and wait at least 3 minutes.
  - Always work from the side of or under front passenger air bag module.
1. Remove instrument lower cover. Refer to [IP-10, "INSTRUMENT PANEL ASSEMBLY"](#).
  2. Remove glove box assembly. Refer to [IP-10, "INSTRUMENT PANEL ASSEMBLY"](#).
  3. Remove glove box cover with power tool. [IP-10, "INSTRUMENT PANEL ASSEMBLY"](#).
  4. Disconnect passenger air bag harness connector.
  5. Remove special bolt, then remove front passenger air bag module.

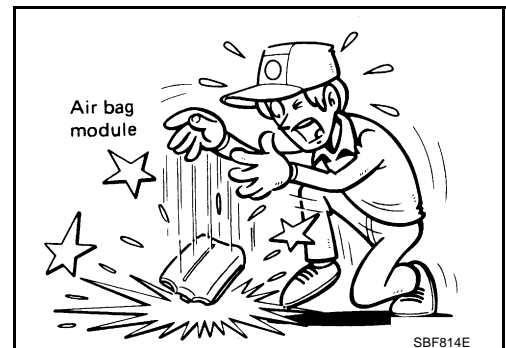


#### CAUTION:

- Always place front passenger air bag module with caution label side facing upward.
- Do not insert any foreign objects (screwdriver, etc.) into front passenger air bag module.
- Do not attempt to disassemble front passenger air bag module.
- Do not use old bolts after removal; replace with new bolts.



- Replace front passenger air bag module if it has been dropped or sustained an impact.
- Do not expose the front passenger air bag module to temperatures exceeding 90°C (194°F).
- Do not allow oil, grease or water to come in contact with the front passenger air bag module.
- After front passenger air bag module inflates, the instrument panel assembly should be replaced.



### INSTALLATION

Install in the reverse order of removal.

#### CAUTION:

- Always work from the side of or under front passenger air bag module.
- After the work is completed, perform self-diagnosis to check that no malfunction is detected. Refer to [SRS-19, "SRS Operation Check"](#).

# FRONT SIDE AIR BAG MODULE

## FRONT SIDE AIR BAG MODULE

PFK:K8EH0

### Removal and Installation

#### REMOVAL

AHS00098

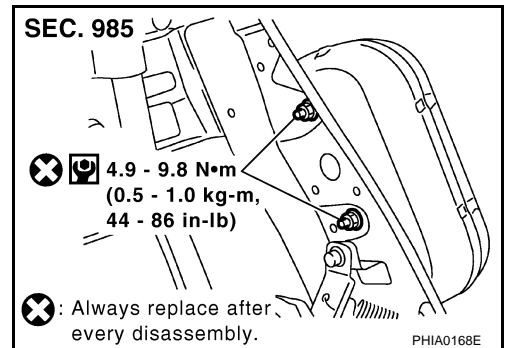
#### WARNING:

Removal of front side air bag module should only be done to allow deployment of front side air bag module prior to disposal of seatback assembly.

Only complete seatback assemblies can be replaced. Refer to [SE-132, "REMOVAL OF SEATBACK ASSEMBLY"](#).

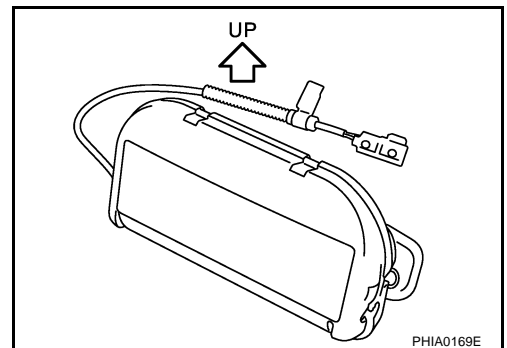
#### CAUTION:

- Before servicing SRS, turn the ignition switch off, disconnect both battery cables and wait at least 3 minutes.
  - Always work from the rear of the front side air bag module.
1. Remove the driver and/or passenger seat. Refer to [SE-130, "REMOVAL"](#).
  2. Remove the seatback board, and remove the retainers securing the seat cushion trim. Refer to [SE-132, "SEAT CUSHION TRIM AND PAD"](#).
  3. Remove the seatback trim and pad. Refer to [SE-131, "SEATBACK TRIM AND PAD"](#).
  4. Remove air bag module harness clips.
  5. Remove the special fasteners coated with bonding agent from the front side air bag module, and remove the front side air bag module.



#### CAUTION:

- Always place the front side air bag module standing with the stud bolt side facing down.
- Do not insert any foreign objects (screwdrivers) into front side air bag module.
- Do not attempt to disassemble front side air bag module.



- Replace front seatback assembly (side air bag module) if it has been dropped or sustained an impact.
- Do not expose front seatback assembly (side air bag module) to temperatures exceeding 90°C (194°F).
- Do not allow oil, grease or water to come in contact with the front side air bag module.
- After front side air bag module inflates, front seatback assembly must be replaced.



A  
B  
C  
D  
E  
F  
G  
H  
I  
J  
K  
L  
M

SRS

# FRONT SIDE AIR BAG MODULE

---

## INSTALLATION

Install in the reverse order of removal.

### CAUTION:

- Always work from the side of or under front side air bag module.
- After the work is completed, perform self-diagnosis to make sure that no malfunction is detected. Refer to [SRS-19, "SRS Operation Check"](#) .

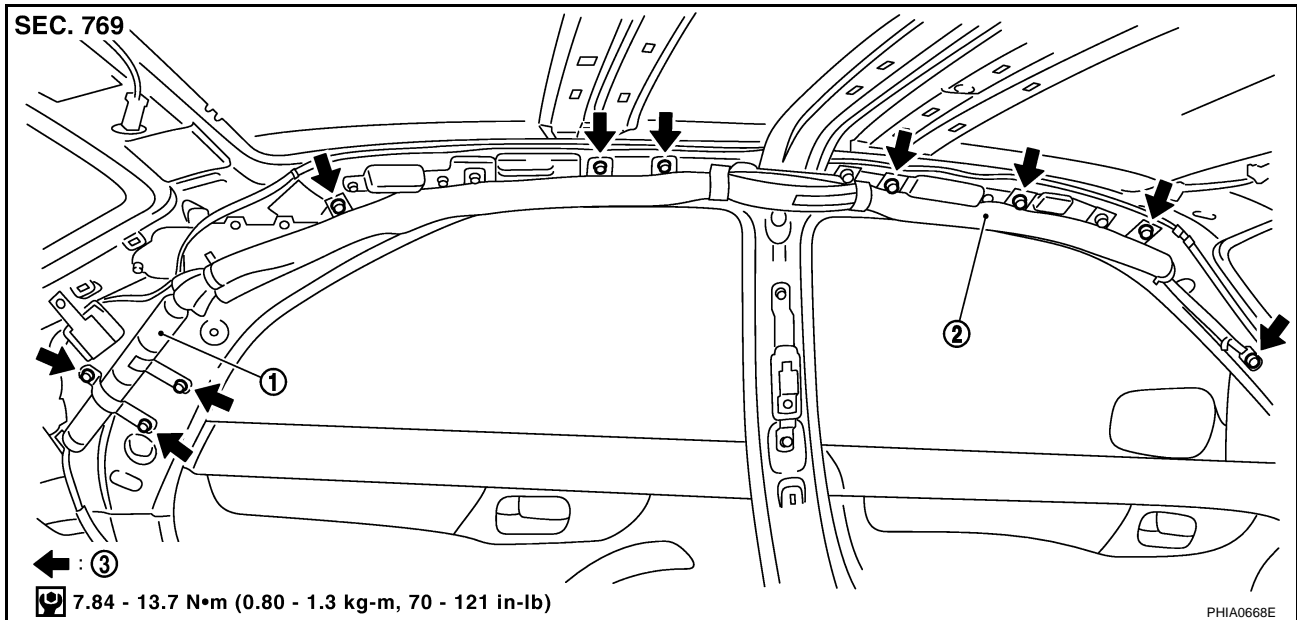
# SIDE CURTAIN AIR BAG MODULE

## SIDE CURTAIN AIR BAG MODULE

PFP:985P0

### Removal and Installation

AHS0008Y



1. Side curtain air bag inflator

2. Side curtain air bag

3. Bolt

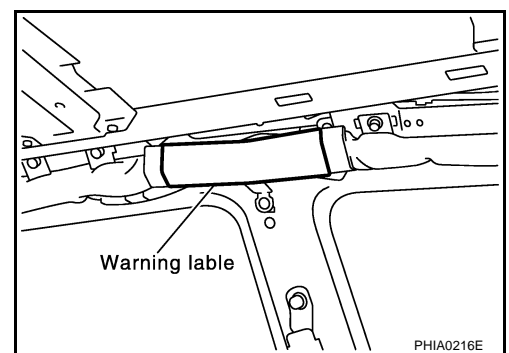
### REMOVAL

#### CAUTION:

- Before servicing SRS, turn the ignition switch off, disconnect both battery cables and wait at least 3 minutes.
  - Always work from the side of the side curtain air bag module.
1. Remove headlining. Refer to [EI-39, "Removal and Installation"](#).
  2. Disconnect side curtain air bag connector.
  3. Remove side curtain air bag module fixing bolts and clip.
  4. Remove the side curtain air bag module.

#### CAUTION:

- Always place the side curtain air bag module with the warning label facing upward.
- Do not attempt to disassemble side curtain air bag module.
- Do not insert any foreign objects (screwdriver, etc.) into air bag module connector.



- Replace side curtain air bag module if it has been dropped or sustained an impact.
- Do not expose the air bag module to temperatures exceeding 90°C (194°F).
- Do not allow oil, grease or water to come in contact with the side curtain air bag module.



A  
B  
C  
D  
E  
F  
G

SRS

I  
J  
K  
L  
M

# SIDE CURTAIN AIR BAG MODULE

---

## INSTALLATION

Install in the reverse order of removal.

### CAUTION:

- Always work from the side of the side curtain air bag module.
- After replacement of side curtain air bag module, perform self-diagnosis to check that no malfunction is detected. Refer to [SRS-19, "SRS Operation Check"](#) .

# CRASH ZONE SENSOR

## CRASH ZONE SENSOR

PPF:98531

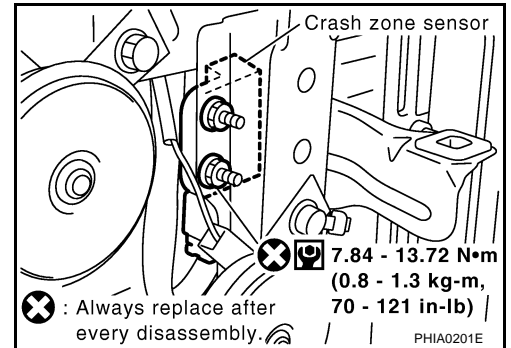
### Removal and Installation REMOVAL

AHS0008Z

#### CAUTION:

Before servicing SRS, turn the ignition switch off, disconnect both battery cables and wait at least 3 minutes.

1. Remove front grille. Refer to [EI-19, "FRONT GRILLE"](#) .
2. Remove crash zone sensor connector.
3. Remove crash zone sensor fixing nuts.



#### CAUTION:

- Replace crash zone sensor if it has been dropped or sustained an impact.
- Do not attempt to disassemble crash zone sensor.

### INSTALLATION

Install in the reverse order of removal.

#### CAUTION:

- Check crash zone sensor for proper installation.
- After the work is complete, perform self-diagnosis to make sure that no malfunction is detected. Refer to [SRS-19, "SRS Operation Check"](#) .

A

B

C

D

E

F

G

SRS

I

J

K

L

M

# SIDE AIR BAG (SATELLITE) SENSOR

PFP:98830

## SIDE AIR BAG (SATELLITE) SENSOR

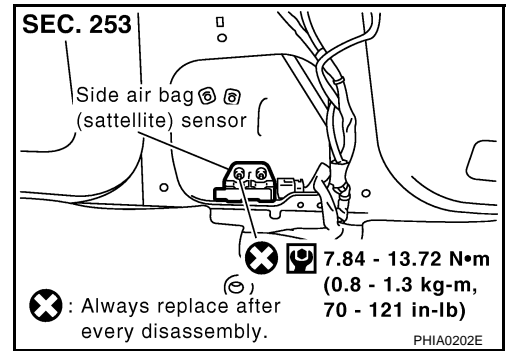
### Removal and Installation REMOVAL

AHS00090

#### CAUTION:

Before servicing SRS, turn the ignition switch off, disconnect both battery cables and wait at least 3 minutes.

1. Remove seat belt pre-tensioner. Refer to [EI-34, "BODY SIDE TRIM"](#) and [SB-4, "Removal and Installation of Front Seat Belt"](#).
2. Remove side air bag (satellite) sensor fixing nuts.
3. Remove the side air bag (satellite) sensor connector.



#### CAUTION:

- Do not use old bolts; replace with new ones.
- Check side air bag (satellite) sensor to ensure it is free of deformities, dents, cracks or rust. If it shows any visible signs of damage, replace it with new one.
- Do not attempt to disassemble side air bag (satellite) sensor.
- Replace side air bag (satellite) sensor if it has been dropped or sustained an impact.

### INSTALLATION

Install in the reverse order of removal.

#### CAUTION:

- Check side air bag (satellite) sensor for proper installation.
- After replacement of side air bag (satellite) sensor, perform self-diagnosis to make sure that no malfunction is detected. Refer to [SRS-19, "SRS Operation Check"](#).



# FRONT SEAT BELT PRE-TENSIONER

---

## FRONT SEAT BELT PRE-TENSIONER

PPF:86884

### Removal and Installation

AHS00091

For removal and installation procedures, refer to [SB-4, "Removal and Installation of Front Seat Belt"](#) .

A

B

C

D

E

F

G

**SRS**

I

J

K

L

M

# DIAGNOSIS SENSOR UNIT

PFP:28556

## DIAGNOSIS SENSOR UNIT

### Removal and Installation

#### REMOVAL

AHS00092

#### CAUTION:

Before servicing SRS, turn the ignition switch off, disconnect both battery cables and wait at least 3 minutes.

1. Disconnect each harness connector for the air bag module and seat belt pre-tensioner.
2. Remove center console. Refer to [IP-10, "INSTRUMENT PANEL ASSEMBLY"](#).
3. Disconnect diagnosis sensor unit connector.
4. Remove special hex bolts from the diagnosis sensor unit.


#### NOTE:

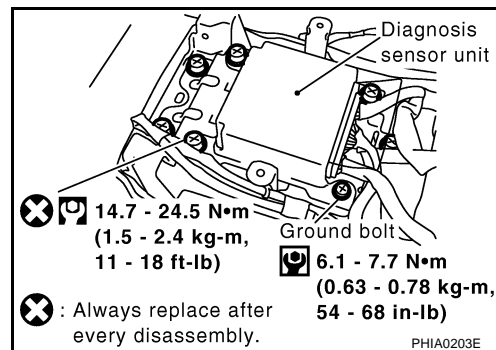
Diagnosis sensor unit tightening torque

#### Torx bolt:

 : 14.7 - 24.5 N·m (1.5 - 2.4 kg-m, 11 - 18 ft-lb)

#### Hexagon bolt:

 : 19.6 - 29.4 N·m (2.0 - 2.9 kg-m, 15 - 21 ft-lb)



#### CAUTION:

- Do not use old bolts. Replace with new ones.
- Check diagnosis sensor unit bracket to ensure it is free of deformities, dents, cracks or rust. If it shows any visible signs of damage, replace with new one.
- Replace diagnosis sensor unit if it has been dropped or sustained an impact.

#### INSTALLATION

Install in the reverse order of removal.

#### CAUTION:

- Check the diagnosis sensor unit for proper installation.
- After replacement of diagnosis sensor unit, perform self-diagnosis to make sure that no malfunction is detected. Refer to [SRS-19, "SRS Operation Check"](#).

#### ECU DISCRIMINATED NO.

After replacing the diagnosis sensor unit, confirm that the diagnosis sensor unit identification is correct for the vehicle as equipped. Refer to [SRS-17, "DIAGNOSIS MODE FOR CONSULT-II"](#).

# DISPOSAL OF AIR BAG MODULE AND SEAT BELT PRE-TENSIONER

## DISPOSAL OF AIR BAG MODULE AND SEAT BELT PRE-TENSIONER

PFP:00014

### Caution for Air Bag Module and Seat Belt Pre-tensioner

AHS00097

- Before disposing of air bag module and seat belt pre-tensioner, or vehicles equipped with such systems, deploy the systems. If such systems have already been deployed due to an accident, dispose of them as indicated in [SRS-57, "DISPOSING OF AIR BAG MODULE AND SEAT BELT PRE-TENSIONER"](#).
- When deploying the air bag module and seat belt pre-tensioner, always use the Special Service Tool; Deployment tool [SST: KV99106400 (J38381)].
- When deploying the air bag module and seat belt pre-tensioner, stand at least 5 m (16 ft) away from the deployment component.
- When deploying air bag module and seat belt pre-tensioner, a fairly loud noise is made, followed by smoke being released. The smoke is not poisonous, however, be careful not to inhale smoke since it irritates the throat and can cause choking.
- Always activate one air bag module at a time.
- Due to heat, leave air bag module unattended for more than 30 minutes after deployment. Also leave seat belt pre-tensioner unattended for more than 10 minutes after deployment.
- Be sure to wear gloves when handling a deployed air bag module and seat belt pre-tensioner.
- Never apply water to the deployed air bag module and seat belt pre-tensioner.
- Wash your hands clean after finishing work.
- Place the vehicle outdoors with an open space of at least 6 m (20 ft) on all sides when deploying air bag module and seat belt pre-tensioner while mounted in vehicle.
- Use a voltmeter to make sure the vehicle battery is fully charged.
- Do not dispose of the air bag module and seat belt pre-tensioner un-deployed.

## CHECKING DEPLOYMENT TOOL

### Connecting to Battery

#### CAUTION:

The battery must show voltage of 9.6V or more.

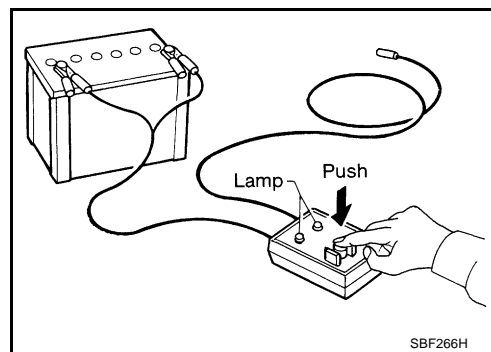
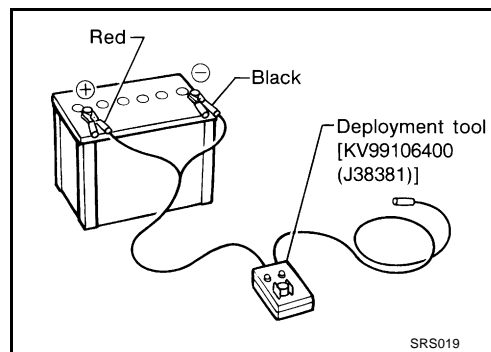
Remove the battery from the vehicle and place it on dry wood blocks approximately 5 m (16 ft) away from the vehicle.

- Wait 3 minutes after the vehicle battery is disconnected before proceeding.
- Connect red clip of deployment tool to battery positive terminal and black clip to negative terminal.

Make sure the polarity is correct. The right side lamp in the tool, marked "deployment tool power", should glow with a green light. If the right side lamp glows red, reverse the connections to the battery.

### Deployment Tool Check

Press the deployment tool switch to the ON position. The left side lamp in the tool, marked "air bag connector voltage" should illuminate. If it does not illuminate, replace the tool.



A  
B  
C  
D  
E  
F  
G  
SRS

# DISPOSAL OF AIR BAG MODULE AND SEAT BELT PRE-TENSIONER

## Air Bag Deployment Tool Lamp Illumination Chart (Battery Connected)

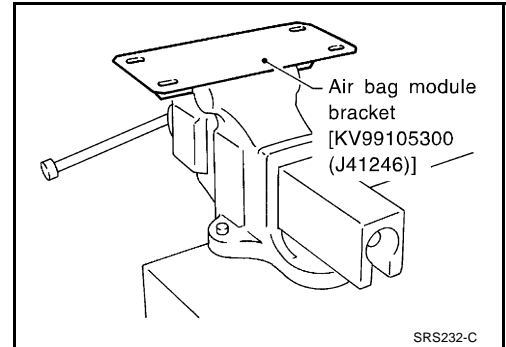
Switch operation	Left side lamp, green* "AIR BAG CONNECTOR VOLTAGE"	Right side lamp, green* "DEPLOYMENT TOOL POWER"
OFF	OFF	ON
ON	ON	ON

\*: If this lamp glows red, the tool is connected to the battery incorrectly. Reverse the connections and make sure the lamp glows green.

## DEPLOYMENT PROCEDURES FOR AIR BAG MODULE (OUTSIDE OF VEHICLE)

Unless the vehicle is being scrapped, deploying the air bag in the vehicle is not recommended. This may cause damage to the vehicle interior.

Anchor air bag module bracket [SST: KV99105300 (J41246)] in a vise secured to a firm foundation during deployment.



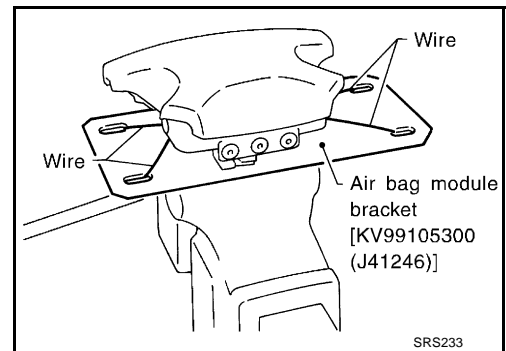
### Deployment of Driver Air Bag Module (Outside of Vehicle)

- Using wire, secure air bag module to air bag module bracket [SST: KV99105300 (J41246)] at two places.

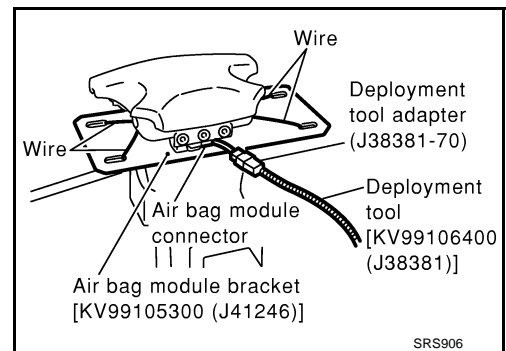
**CAUTION:**

**Use wire of at least 1 mm (0.04 in) diameter.**

- Firmly secure air bag module bracket [SST: KV99105300 (J41246)] with air bag module attached, in a vise.



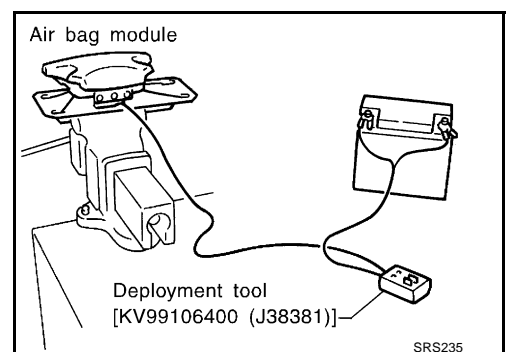
- Connect deployment tool adapter (SST: J38381-80) to deployment tool [SST: KV99106400 (J38381)] to air bag module connector.



- Connect red clip of deployment tool to battery positive terminal and black clip to negative terminal.
- The lamp on the right side of the tool, marked "deployment tool power", should glow green, not red.
- Press the button on the deployment tool. The left side lamp on the tool, marked "air bag connector voltage", will illuminate and the air bag module will deploy.

**CAUTION:**

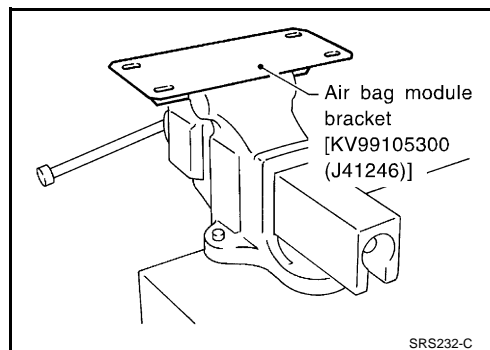
**When deploying the driver air bag module, stand at least 5 m (16 ft) away from the air bag module.**



# DISPOSAL OF AIR BAG MODULE AND SEAT BELT PRE-TENSIONER

## Deployment of Front Passenger Air Bag Module (Outside of Vehicle)

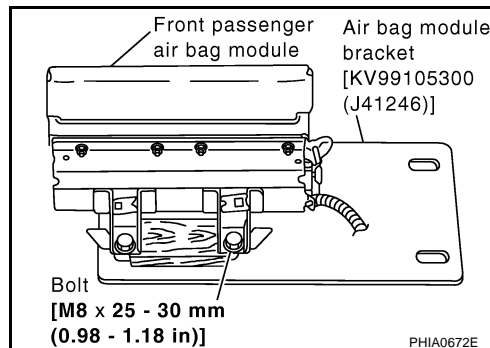
1. Make an 8.5 mm (0.335 in) diameter hole in air bag module bracket [SST: KV99105300 (J41246)] at the position shown in figure at right.
2. Firmly secure air bag module bracket [SST: KV99105300 (J41246)] in a vise.



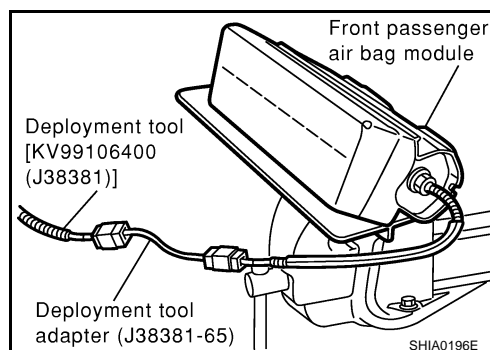
3. Match the two holes in air bag module bracket (held in vise) and front passenger air bag module and fix them with two bolts [M8 x 25 - 30 mm (0.98 - 1.18 in)].

### CAUTION:

If a gap exists between front passenger air bag module and air bag module bracket, use a piece of wood inserted in the gap to stabilize the air bag module.



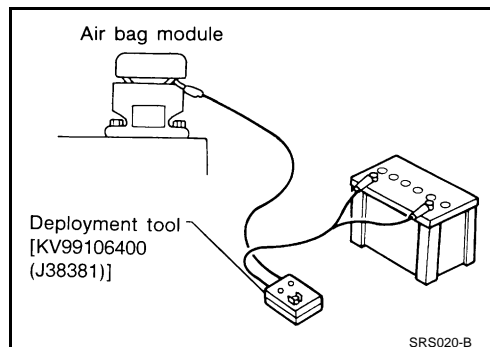
4. Connect deployment tool adapter (SST: J38381-65) to deployment tool [SST: KV99106400 (J38381)] connector and front passenger air bag module connector.
5. Connect red clip of deployment tool to battery positive terminal and black clip to negative terminal.
6. The lamp on the right side of the tool, marked "deployment tool power", should glow green, not red.



7. Press the button on the deployment tool. The left side lamp on the tool, marked "air bag connector voltage", will illuminate and the air bag module will deploy.

### CAUTION:

- When deploying the front passenger air bag module, do not stand on the deploying side.
- Stand at least 5 m (16 ft) away from the air bag module.

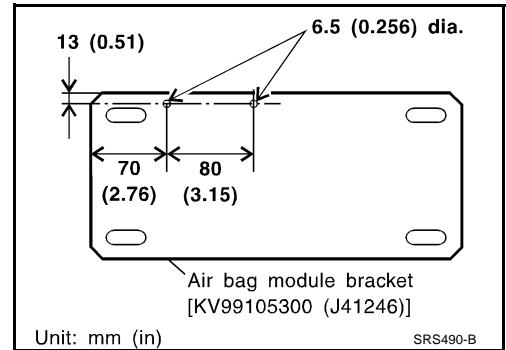


A  
B  
C  
D  
E  
F  
G  
SRS  
I  
J  
K  
L  
M

# DISPOSAL OF AIR BAG MODULE AND SEAT BELT PRE-TENSIONER

## Deployment of Front Side Air Bag Module (Outside of Vehicle)

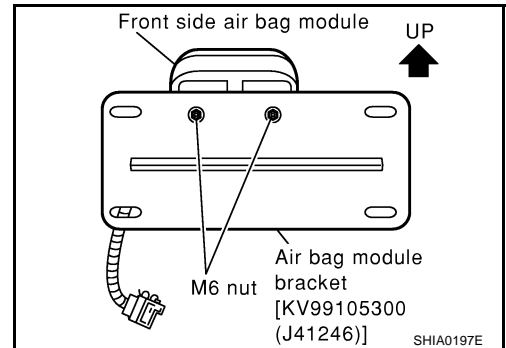
1. Make 6.5 mm (0.256 in) diameter holes in air bag module bracket [SST: KV99105300 (J41246)] at the position shown in figure.



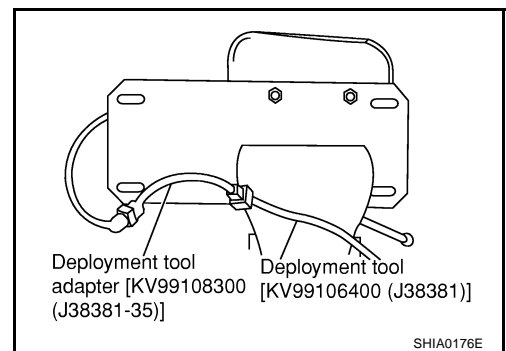
2. Firmly secure air bag module bracket [SST: KV99105300 (J41246)] in a vise.
3. Insert the stud bolts of side air bag module into the two holes in air bag module bracket (held in vise) and fix them with two M6 nuts.

### CAUTION:

Side air bag module should be secured to air bag module bracket [SST: KV99105300 (J41246)] in a vise with stud bolt side setting bottom.



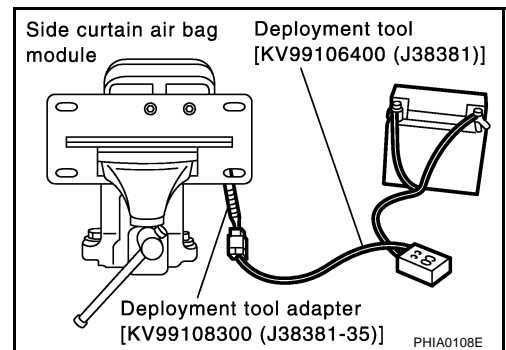
4. Connect deployment tool adapter [SST: KV99108300 (J38381-35)] to deployment tool [SST: KV99106400 (J38381)] connector and connector on air bag module.



5. Connect red clip of deployment tool to battery positive terminal and black clip to negative terminal.
6. The lamp on the right side of the tool, marked "deployment tool power", should glow green, not red.
7. Press the button on the deployment tool. The left side lamp on the tool, marked "air bag connector voltage", will illuminate and the air bag module will deploy.

### CAUTION:

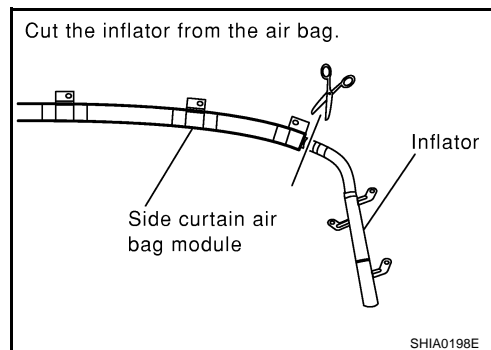
When deploying the front side air bag module, stand at least 5 m (16 ft) away from the air bag module.



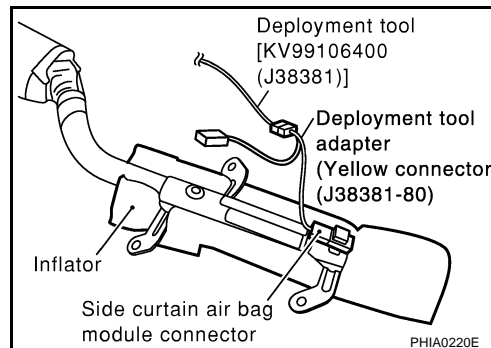
# DISPOSAL OF AIR BAG MODULE AND SEAT BELT PRE-TENSIONER

## Deployment of Side Curtain Air Bag Module (Outside of Vehicle)

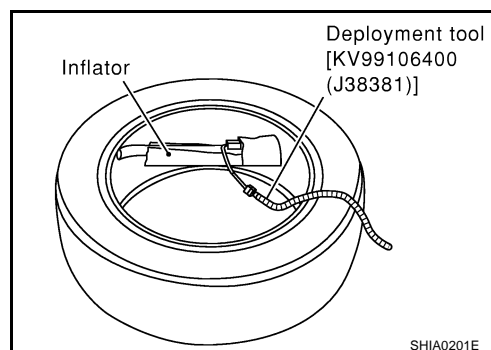
1. Cut the inflator from side curtain air bag module.



2. Connect deployment tool adapter (SST: J38381-80) to the inflator.



3. Put the inflator connected with the deployment tool adaptor [SST: KV99109000 (J44230)] into a tire without wheel.

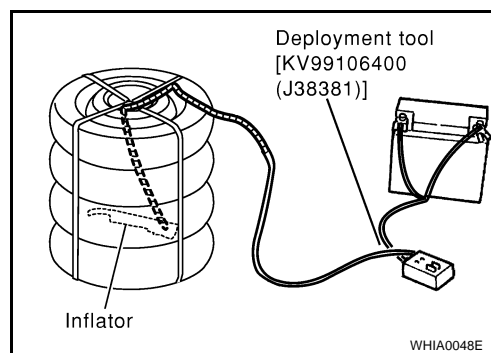


4. Put the tire with the inflator onto another tire without wheel. Add an additional tire without wheel and then a tire mounted on a wheel on top.

**CAUTION:**

**Tie all tires together with a strap in order keep them standing.**

5. Connect red clip of deployment tool to battery positive terminal and black clip to negative terminal.
6. The lamp on the right side of the tool, marked "deployment tool power", should glow green, not red.
7. Press the button on the deployment tool. The left side lamp on the tool, marked "air bag connector voltage", will illuminate and the air bag module will deploy.



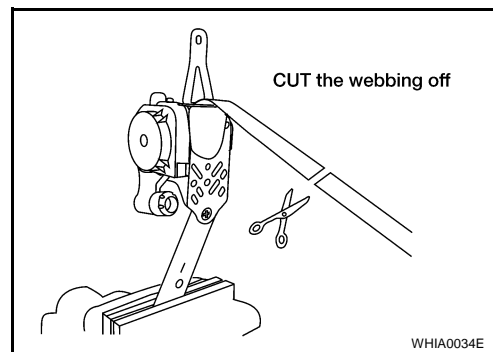
**CAUTION:**

**When deploying the side curtain air bag module, stand at least 5 m (16 ft) away from the side curtain air bag module.**

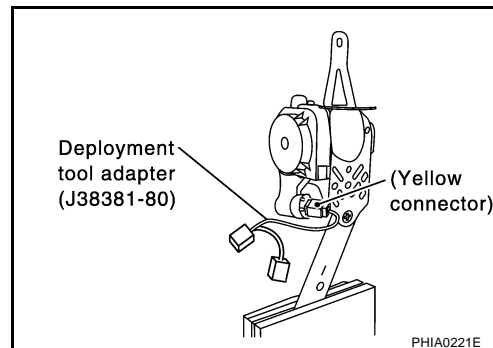
# DISPOSAL OF AIR BAG MODULE AND SEAT BELT PRE-TENSIONER

## DEPLOYMENT PROCEDURES FOR SEAT BELT PRE-TENSIONER (OUTSIDE OF VEHICLE)

1. Firmly grip pre-tensioner in a vise and cut the webbing off.



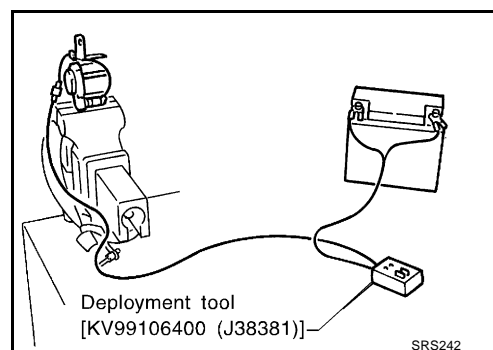
2. Connect deployment tool adapter (SST: J38381-80) to deployment tool [SST: KV99106400 (J38381)] connector and front seat belt pre-tensioner connector.



3. Connect red clip of deployment tool to battery positive terminal and black clip to negative terminal.
4. The lamp on the right side of the tool, marked "deployment tool power", should glow green, not red.
5. Press the button on the deployment tool. The left side lamp on the tool, marked "seat belt pre-tensioner connector voltage", will illuminate and the seat belt pre-tensioner will deploy.

**CAUTION:**

**When deploying the front seat belt pre-tensioner, stand at least 5 m (16 ft) away from the seat belt pre-tensioner.**



## DEPLOYMENT OF AIR BAG MODULE AND SEAT BELT PRE-TENSIONER WHILE MOUNTED IN VEHICLE

When disposing of a vehicle, deploy air bag module and seat belt pre-tensioners while they are mounted in vehicle.

**CAUTION:**

**When deploying air bag module or seat belt pre-tensioner, ensure vehicle is empty.**

1. Disconnect both vehicle battery cables and wait 3 minutes.
2. Disconnect air bag module and seat belt pre-tensioner connector.
3. Connect deployment tool [SST: KV99106400 (J38381)] to air bag module or seat belt pre-tensioner. For driver air bag module, attach deployment tool adapter (SST: J38381-70) to the tool connector. For front passenger air bag module, attach deployment tool adapter (SST: J38381-65) to the tool connector. For side air bag module, attach deployment tool adapter [SST: KV99108300 (J38381-35)]. For curtain air bag module, attach deployment tool adapter [SST: KV99109000 (J44230)], For seat belt pre-tensioner, attach deployment tool adapter [SST: KV99108200 (J38381-50)] to the tool connector.

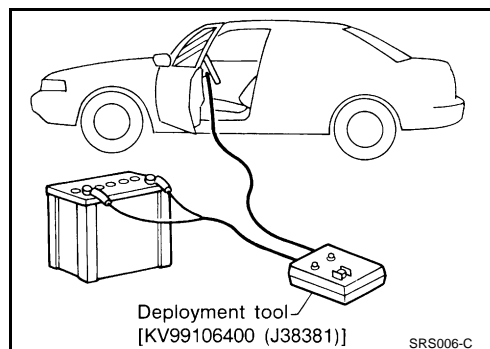


## DISPOSAL OF AIR BAG MODULE AND SEAT BELT PRE-TENSIONER

4. Connect red clip of deployment tool to battery positive terminal and black clip to negative terminal.
5. The lamp on the right side of the tool, marked "deployment tool power", should glow green, not red.
6. Press the button on the deployment tool. The left side lamp on the tool, marked "air bag connector voltage", will illuminate and the air bag module or seat belt pre-tensioner will deploy.

**CAUTION:**

Activate only one air bag module or seat belt pre-tensioner at a time.



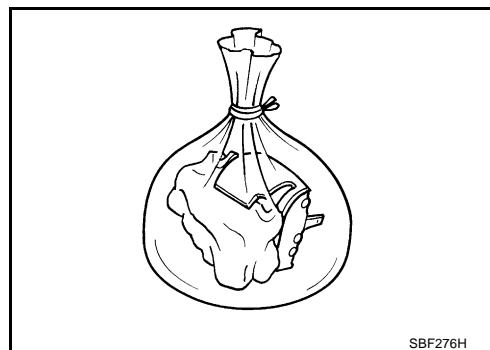
A  
B  
C  
D

## DISPOSING OF AIR BAG MODULE AND SEAT BELT PRE-TENSIONER

Deployed air bag module and seat belt pre-tensioner are very hot. Before disposing of air bag module, and seat belt pre-tensioner wait at least 30 minutes, and 10 minutes, respectively. Seal them in a plastic bag before disposal.

**CAUTION:**

- Never apply water to a deployed air bag module and seat belt pre-tensioner.
- Be sure to wear gloves when handling a deployed air bag module and seat belt pre-tensioner.
- No poisonous gas is produced upon air bag module deployment. However, be careful not to inhale gas since it irritates throat and can cause choking.
- Do not attempt to disassemble air bag module and seat belt pre-tensioner.
- Air bag module and seat belt pre-tensioner cannot be reused.
- Wash your hands clean after finishing work.



F  
G  
SRS  
I  
J  
K  
L  
M

## COLLISION DIAGNOSIS

PFP:00015

### For Frontal Collision

AHS000BQ

To repair the SRS, perform the following steps.

**When SRS (except the front side air bag and side curtain air bag modules) is activated in a collision:**

1. Replace the diagnosis sensor unit.
2. Remove the air bag modules (except the front side air bag modules and side curtain air bag modules), crash zone sensor assembly, bracket and seat belt pre-tensioner assemblies.
3. Check the SRS components using the table below:
  - Replace any SRS components showing visible signs of damage (dents, cracks and deformation).
4. Install new air bag modules (except the front side air bag modules and side curtain air bag modules) crash zone sensor assembly, bracket and seat belt pre-tensioner assemblies.
5. Conduct self-diagnosis using CONSULT-II or "AIR BAG" warning lamp. Refer to [SRS-19, "SRS Operation Check"](#) for details. Ensure entire SRS operates properly.

**When SRS is not activated in a collision:**

1. Check the SRS components using the table below:
  - Replace any SRS components showing visible signs of damage (dents, cracks and deformation).
2. Conduct self-diagnosis using CONSULT-II or "AIR BAG" warning lamp. Refer to [SRS-19, "SRS Operation Check"](#) for details. Ensure entire SRS operates properly.

**When only one front air bag module is activated in a collision:**

1. Replace the following components:
  - Diagnosis sensor unit
  - Crash zone sensor
  - Activated front air bag and seat belt pre-tensioner.
2. Check the other SRS components using the table below. (Refer to "SRS is NOT activated".)
  - Replace any SRS components showing visible signs of damage (dents, cracks and deformation).
3. Conduct self-diagnosis using CONSULT-II or "AIR BAG" warning lamp. Refer to [SRS-19, "SRS Operation Check"](#) for details. Ensure entire SRS operates properly.

Only one front air bag may inflate a crash, depending on the crash severity and whether the front occupants are belted or unbelted. This do not indicate improper performance of the system conduct self-diagnosis to make sure the entire SRS operates properly.

### SRS INSPECTION (FOR FRONTAL COLLISION)

Part	SRS is activated	SRS is NOT activated
Air bag module (driver or front passenger air bag module)	REPLACE Install with new bolts.	1. Remove air bag module. Check harness cover and connectors for damage, terminals for deformities, and harness for binding. 2. <ul style="list-style-type: none"> <li>- Install driver air bag module into the steering wheel to check fit and alignment with the wheel.</li> <li>- Install passenger air bag module into the instrument panel to check fit with the instrument panel.</li> </ul> 3. No damage found, reinstall with new bolts. 4. If damaged—REPLACE air bag modules with new special bolts. Air bag must be deployed before disposal.
Crash zone sensor	REPLACE the crash zone sensor and bracket with new nuts.	1. Remove the crash zone sensor. Check harness connectors for damage, terminals for deformities, and harness for binding. 2. Check for visible signs of damage (dents, cracks, deformation) of the crash zone sensor and bracket. 3. Install the crash zone sensor to check fit. 4. No damage found, reinstall with new bolts. 5. If damaged—REPLACE the crash zone sensor and bracket with new nuts.

# COLLISION DIAGNOSIS

Part	SRS is activated	SRS is NOT activated
Seat belt pre-tensioner assemblies	REPLACE Install seat belt pre-tensioner with new bolts.	<ol style="list-style-type: none"> <li>1. Remove seat belt pre-tensioners. Check harness cover and connectors for damage, terminals for deformities, and harness for binding.</li> <li>2. Check belts for damage and anchors for loose mounting.</li> <li>3. Check retractor for smooth operation.</li> <li>4. Check seat belt adjuster for damage.</li> <li>5. If no damage is found, reinstall seat belt pre-tensioner assembly with new bolts.</li> <li>6. If damaged—REPLACE seat belt pre-tensioners with new bolts. Seat belt pre-tensioners must be deployed before disposal.</li> </ol>
Diagnosis sensor unit	REPLACE Install with new bolts.	<ol style="list-style-type: none"> <li>1. Check case for dents, cracks or deformities.</li> <li>2. Check connectors for damage, and terminals for deformities.</li> <li>3. If no damage is found, reinstall with new bolts and ground bolt.</li> <li>4. If damaged—REPLACE diagnosis sensor unit with new bolts and ground bolt.</li> </ol>
Steering wheel	<ol style="list-style-type: none"> <li>1. Visually check steering wheel for deformities.</li> <li>2. Check harness (built into steering wheel) and connectors for damage, and terminals for deformities.</li> <li>3. Install air bag module to check fit or alignment with steering wheel.</li> <li>4. Check steering wheel for excessive free play.</li> <li>5. If no damage is found, reinstall with nut.</li> <li>6. If damaged—REPLACE.</li> </ol>	
Spiral cable	<ol style="list-style-type: none"> <li>1. Visually check spiral cable and combination switch for damage.</li> <li>2. Check connectors and protective tape for damage.</li> <li>3. Check steering wheel for noise, binding or heavy operation.</li> <li>4. If no damage is found, reinstall with screws.</li> <li>5. If damaged—REPLACE.</li> </ol>	
Harness and connectors	<ol style="list-style-type: none"> <li>1. Check connectors for poor connection, damage, and terminals for deformities.</li> <li>2. Check harness for binding, chafing, cuts, or deformities.</li> <li>3. If no damage is found, reinstall the harness and connectors.</li> <li>4. If damaged—REPLACE damaged section of harness. Do not attempt to repair, splice or modify any SRS harness.</li> </ol>	
Instrument panel	<ol style="list-style-type: none"> <li>1. Visually check instrument panel for damage.</li> <li>2. If no damage is found, reinstall the instrument panel.</li> <li>3. If damaged—REPLACE the instrument panel with bolts.</li> </ol>	

A  
B  
C  
D  
E  
F  
G  
I  
J  
K  
L  
M

SRS

## For Side Collision WHEN THE SIDE AIR BAG IS ACTIVATED IN THE SIDE COLLISION:

AHS000BR

1. Replace the following components:
  - All parts of front seat back (including front seat back frame) with front side air bag module (on the side on which front side air bag is activated)
  - Curtain air bag module (on the side on which side curtain air bag is activated)
  - Diagnosis sensor unit
  - Satellite sensor (on the side on which side air bag and side curtain air bag is activated)
2. Check the SRS components and the related parts using the following table.
  - Replace any SRS components and the related parts showing visible signs of damage (dents, cracks, deformation).
3. Conduct self-diagnosis using CONSULT-II or "AIR BAG" warning lamp. Refer to [SRS-19, "SRS Operation Check"](#) . Ensure entire SRS operates properly.

# COLLISION DIAGNOSIS

## WHEN SRS IS NOT ACTIVATED IN THE SIDE COLLISION:

1. Check the SRS components and the related parts using the following table.
  - Replace any SRS components and the related parts showing visible signs of damage (dents, cracks, deformation).
2. Conduct self-diagnosis using CONSULT-II or "AIR BAG" warning lamp. Refer to [SRS-19, "SRS Operation Check"](#) . Ensure entire SRS operates properly.

## SRS INSPECTION (FOR SIDE COLLISION)

Part	Front side air bag and side curtain air bag is activated	Front side air bag and side curtain air bag is NOT activated
(LH or RH) side curtain air bag module	Replace the side curtain air bag module. (Repair the center pillar inner, etc. before installing new one if damaged.)	<ol style="list-style-type: none"> <li>1. Check for visible signs of damage (dents, tears, deformation) of the center pillar on the collision side.</li> <li>2. If damaged— Remove the side curtain air bag module.</li> <li>3. Check for visible signs of damaged (tears etc.) of the side curtain air bag module.</li> <li>4. Check harness and connectors for damage, and terminals for deformities.</li> <li>5. If no damage is found, reinstall the side curtain air bag module with new bolts.</li> <li>6. If damaged—REPLACE the side curtain air bag module with new bolts. Air bag must be deployed before disposal.</li> </ol>
Front (LH or RH) side air bag module	REPLACE all parts of seat back with deployed front side air bag module.	<ol style="list-style-type: none"> <li>1. Check for visible signs of damage (dents, tears, deformation) of the seat back on the collision side.</li> <li>2. Check harness and connectors for damage, and terminals for deformities.</li> <li>3. If damaged—REPLACE the front seat back assembly. Air bag must be deployed before disposal.</li> </ol>
(LH or RH) side air bag (satellite) sensor	REPLACE the side air bag (satellite) sensor on the collision side with new nuts. (Repair the center pillar inner, etc. before installing new one if damaged.)	<ol style="list-style-type: none"> <li>1. Remove the side air bag (satellite) sensor on the collision side. Check harness connectors for damage, terminals for deformities, and harness for binding.</li> <li>2. Check for visible signs of damage (dents, cracks, deformation) of the side air bag (satellite) sensor.</li> <li>3. Install the side air bag (satellite) sensor to check fit.</li> <li>4. If no damage is found, reinstall the side sir bag (satellite) sensor with new nuts.</li> <li>5. If damaged—REPLACE the side air bag (satellite) sensor with new nuts.</li> </ol>
Diagnosis sensor unit	REPLACE the diagnosis sensor unit with the new bolts.	<ol style="list-style-type: none"> <li>1. Check case and bracket for dents, cracks or deformities.</li> <li>2. Check connectors for damage, and terminals for deformities.</li> <li>3. If no damage is found, reinstall the diagnosis sensor unit with new bolts and ground bolt.</li> <li>4. If damaged—REPLACE the diagnosis sensor unit with new bolts and ground bolt.</li> </ol>
Seat belt pre-tensioner assembly	<ol style="list-style-type: none"> <li>1. Check if the seat belt can be extended smoothly.               <ul style="list-style-type: none"> <li>If the seat belt cannot be extended smoothly,                   <ul style="list-style-type: none"> <li>- Check for deformities of the center pillar inner.</li> <li>- If the center pillar inner has no damage, REPLACE the seat belt pre-tensioner assembly.</li> </ul> </li> </ul> </li> <li>2. Remove the seat belt pre-tensioner assembly on the collision side. Check harness cover and connectors for damage, terminals for deformities, and harness for binding.</li> <li>3. Check for visible signs of damage (dents, cracks, deformation) of the seat belt pre-tensioner assembly.</li> <li>4. Check seat belt adjuster for damage.</li> <li>5. If no damage is found, reinstall the seat belt pre-tensioner assembly.</li> <li>6. If damaged—REPLACE the seat belt pre-tensioner assembly with new bolts. The seat belt pre-tensioner assembly must be deployed before disposal.</li> </ol>	

# COLLISION DIAGNOSIS

Part	Front side air bag and side curtain air bag is activated	Front side air bag and side curtain air bag is NOT activated	A
Seat with front side air bag	REPLACE all parts of front seat back (including front seat back frame)	1. Visually check the seat on the collision side. 2. Remove the seat on the collision side and check the following for damage and deformities. – Harness, connectors and terminals – Frame and recliner (for front and rear seat), and also adjuster and slides (for front seat) 3. If no damage is found, reinstall the seat. 4. If damaged—REPLACE the damaged seat parts using new bolts.	B C D
Center inner pillar	1. Check the center inner pillar on the collision side for damage (dents, cracks, deformation). 2. If damaged—REPAIR the center inner pillar.		E
Trim/headliner	1. Check for visible signs of damage (dents, cracks, deformation) of the interior trim on the collision side. 2. If damaged—REPLACE the damaged trim parts.		F G

**SRS**

I  
J  
K  
L  
M

# COLLISION DIAGNOSIS

---